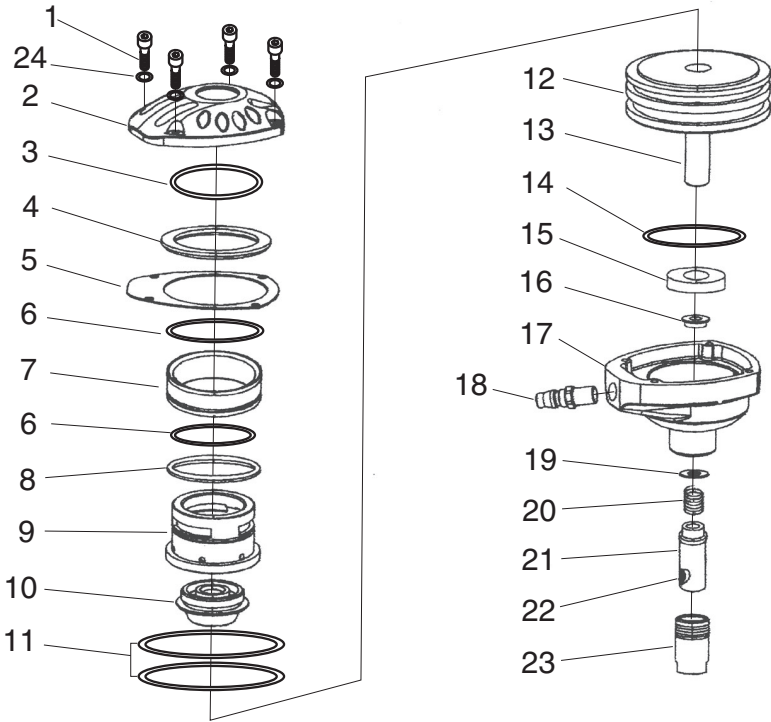


H6141 PARTS BREAKDOWN



REF	PART #	DESCRIPTION
1	PSB15M	CAP SCREW M5-.8 X 20
2	PH6141002	CAP
3	PH6141003	O-RING 53.5 X 2.6
4	PH6141004	RUBBER SEAL 54MM
5	PH6141005	GASKET
6	PH6141006	O-RING 53.5 X 2.6
7	PH6141007	CYLINDER COLLAR
8	PH6141008	SEALING RING
9	PH6141009	CYLINDER
10	PH6141010	CYLINDER COVER
11	PH6141011	O-RING 43 X 2.6
12	PH6141012	PISTON

REF	PART #	DESCRIPTION
13	PH6141013	RAM PIN
14	PH6141014	O-RING 61.4 X 2.6
15	PH6141015	BUMPER 16 X 40 X 8
16	PH6141016	AXLE SLEEVE 8MM
17	PH6141017	HOUSING
18	PH6141018	AIR INLET PLUG 1/4" NPT
19	PH6141019	FLAT WASHER 9 X 20 X 1
20	PH6141020	COMPRESSION SPRING
21	PH6141021	DEPTH GUIDE
22	PH6141022	MAGNET
23	PH6141023	NOSE PIECE M20-1.5 X 37
24	PW02M	FLAT WASHER 5MM