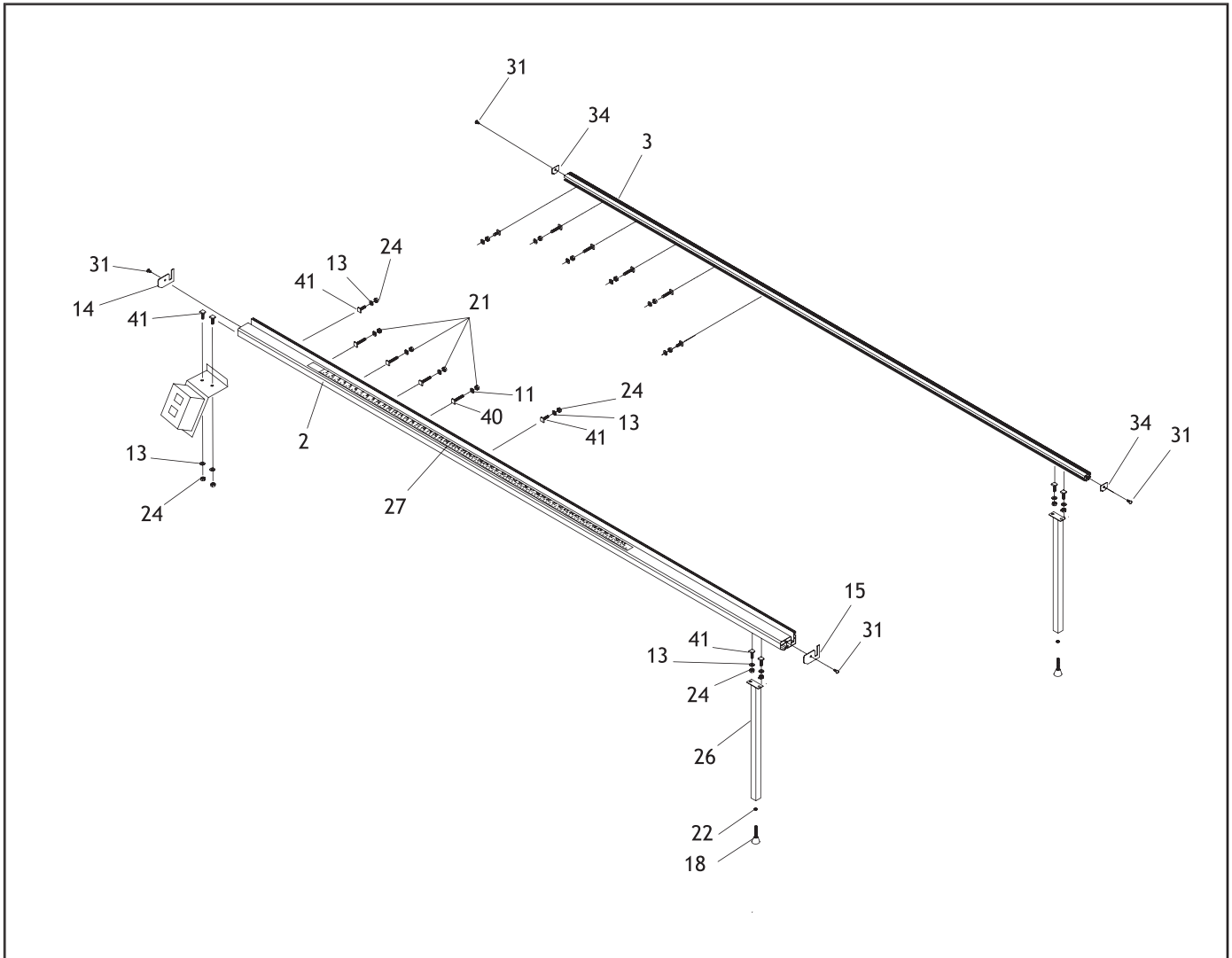


# W1721 Parts Diagram



REF	PART #	DESCRIPTION
2	X1721002	ALUMINUM FRONT RAIL
3	X1721003	ALUMINUM REAR RAIL
11	XPW03M	FLAT WASHER 6MM
13	XPW07	FLAT WASHER 5/16"
14	X1721014	FRONT RAIL CAP (L)
15	X1721015	FRONT RAIL CAP (R)
18	X1721018	RUBBER FOOT BOLT 3/8"-16
21	XPN01M	HEX NUT M6-1.0
22	XPN08	HEX NUT 3/8"-16

REF	PART #	DESCRIPTION
23	XPN01M	HEX NUT M6-1.0
24	XPN02	HEX NUT 5/16"-18
26	X1721026	LEG (LONG)
27	X1721027	LENGTH SCALE 50"
31	XPHTEK7	SELF TAP SCREW #8 X 3/8"
34	X1721034	REAR RAIL CAP
40	X1721040	T-BOLT M6-1.0 x 30
41	X1721041	T-BOLT 5/16"-18 x 3/4"