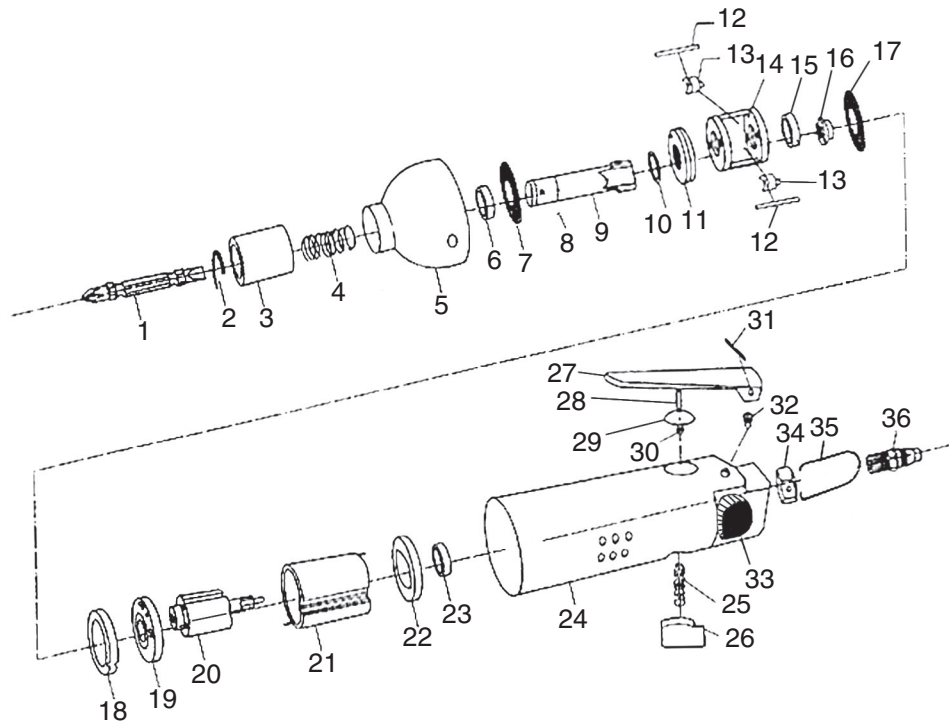


H3274 Parts Breakdown and List



REF	PART #	DESCRIPTION
1	PH3274001	DRIVER BIT
2	PH3274002	RETAINING CLIP
3	PH3274003	COLLET
4	PH3274004	COMPRESSION SPRING
5	PH3274005	NOSE HOUSING
6	PH3274006	SHEILD RING
7	PH3274007	BUSHING
8	PH3274008	STEEL BALL
9	PH3274009	MANDREL
10	PH3274010	BUSHING
11	PH3274011	BEARING
12	PH3274012	BOLT
13	PH3274013	HAMMER BLOCK
14	PH3274014	HAMMER CASE
15	PH3274015	SHEILD RING
16	PH3274016	TIGHTENING SCREW
17	PH3274017	CUSHION
18	PH3274018	FRONT COVER

REF	PART #	DESCRIPTION
19	PH3274019	BEARING
20	PH3274020	ROTOR
21	PH3274021	CYLINDER
22	PH3274022	REAR COVER
23	PH3274023	SHEILD RING
24	PH3274024	MAIN HOUSING
25	PH3274025	COMPRESSION SPRING
26	PH3274026	DIRECTIONAL SWITCH
27	PH3274027	TRIGGER
28	PH3274028	TRIGGER PIN
29	PH3274029	HOLE COVER
30	PH3274030	PIN
31	PH3274031	BOLT
32	PH3274032	SCREW
33	PH3274033	AIRFLOW DIAL
34	PH3274034	AIR INLET NUT
35	PH3274035	HANGER
36	PH3274036	1/4" MNPT AIR FITTING