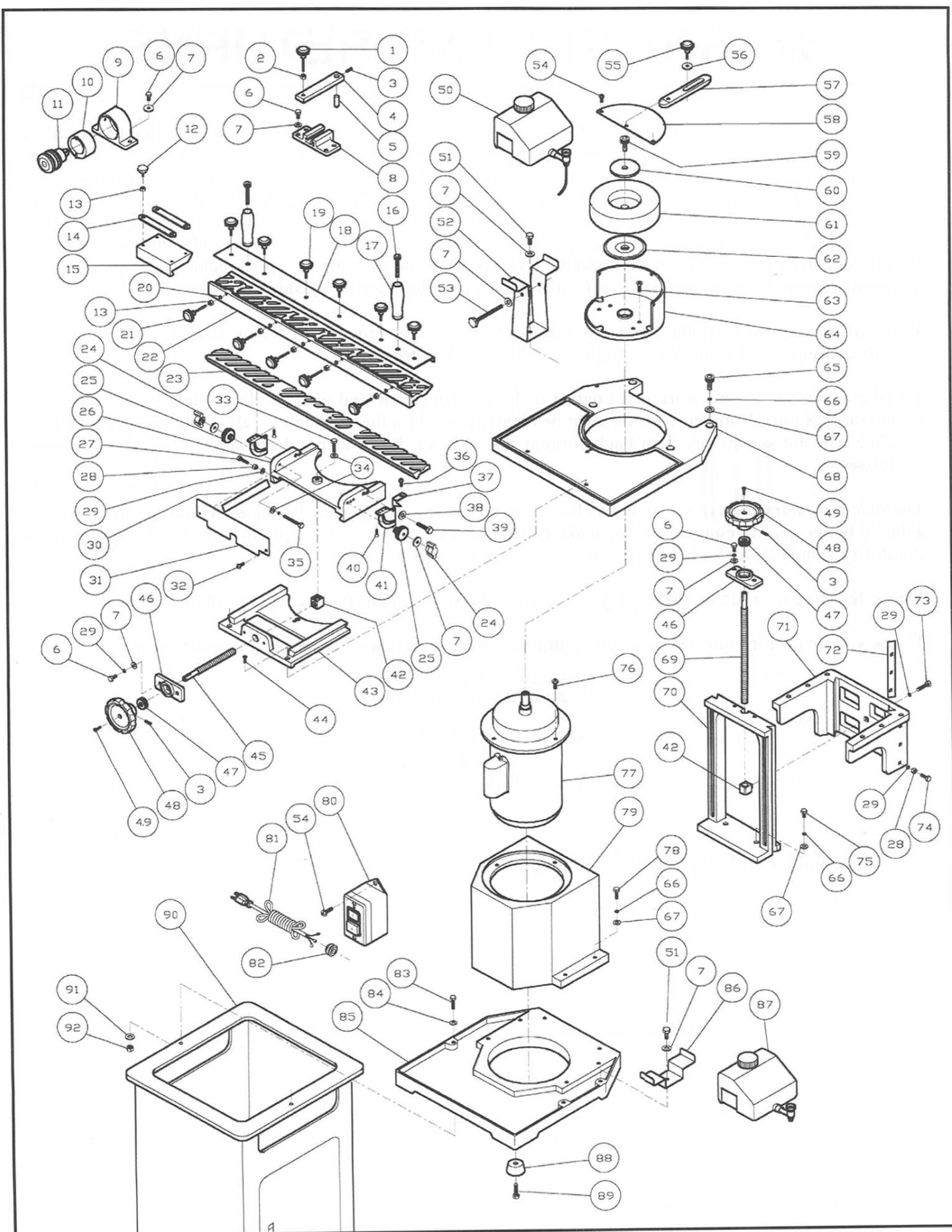


PARTS DIAGRAM



PARTS LIST

DESCRIPTION	Q'TY	DESCRIPTION	Q'TY
1 KNOB	1	47 THRUST BEARING	2
2 HEX JAM NUT	1	48 HAND WHEEL	1
3 SOCKET SET SCREW	3	49 PHILLIPS HEAD SCREW	2
4 DIAMOND DRESSER LOCK PLATE	1	50 WATER POT	1
5 DIAMOND DRESSER	1	51 HEX CAP SCREW	2
6 HEX CAP SCREW	6	52 WATER POT SUPPORT	1
7 WASHER	10	53 KNOB	1
8 DIAMOND DRESSER SUPPORT	1	54 PHILLIPS HEAD SCREW	2
9 CHUCK HOLDER SUPPORT	1	55 KNOB	1
10 CHUCK HOLDER	1	56 WASHER	1
11 CHUCK	1	57 HOSE SUPPORTER	1
12 KNOB	4	58 WHEEL GUARD	1
13 HEX NUT	4	59 SOCKET CAP SCREW	1
14 CHISEL LOCK PLATE	2	60 OUTER FLANGE	1
15 CHISEL SUPPORT	1	61 6" GRINDING WHEEL	1
16 ROUND HEAD SCREW	2	62 INNER FLANGE	1
17 HANDLE	2	63 PHILLIPS ROUND HEAD SCREW	2
18 KNIFE LOCK PLATE	1	64 GRINDING WHEEL HOUSING	1
19 KNOB	6	65 SOCKET CAP SCREW	4
20 O-RING	5	66 SPRING WASHER	10
21 KNOB	5	67 WASHER	10
22 KNIFE SUPPORT	1	68 WORK TABLE	1
23 WORK PLATE	1	69 T-THREAD SCREW	1
24 PIVOT KNOB	2	70 UPPER & DOWN SLIDE GUIDE BASE	1
25 PIVOT ROTATE KNOB	2	71 UPPER & DOWN SLIDE GUIDE	1
26 WORK BRACKET BASE	1	72 PLATE	1
27 HEX CAP SCREW	3	73 HEX CAP SCREW	1
28 HEX NUT	6	74 HEX CAP SCREW	3
29 SPRING WASHER	6	75 HEX CAP SCREW	2
30 PLATE	1	76 PHILLIPS ROUND HEAD SCREW	4
31 COVER PLATE	1	77 MOTOR	1
32 PHILLIPS HEAD SCREW	2	78 HEX CAP SCREW	4
33 HEX CAP SCREW	1	79 MOTOR COVER	1
34 WASHER	3	80 SWITCH	1
35 HEX CAP SCREW	2	81 POWER CARD	1
36 PHILLIPS HEAD SCREW	1	82 CORD BUSH	1
37 POINTER	1	83 HEX CAP SCREW	2
38 WASHER	2	84 WASHER	2
39 HEX CAP SCREW	2	85 BASE	1
40 PHILLIPS HEAD SCREW	4	86 ROD WATER POT SUPPORT	1
41 ANGLE ADJUSTING BASE	2	87 RECYCLE WATER POT SUPPORT	1
42 T-THREAD UNT	1	88 RUBBER SUPPORT FEET	4
43 SLIDE GUIDE	1	89 HEX CAP SCREW	4
44 PHILLIPS ROUND HEAD SCREW	3	90 CABINET STAND	1
45 T-THREAD SCREW	1	91 WASHER LOMM	2
46 BEARING BASE	2	92 HEX JAM UNT	2