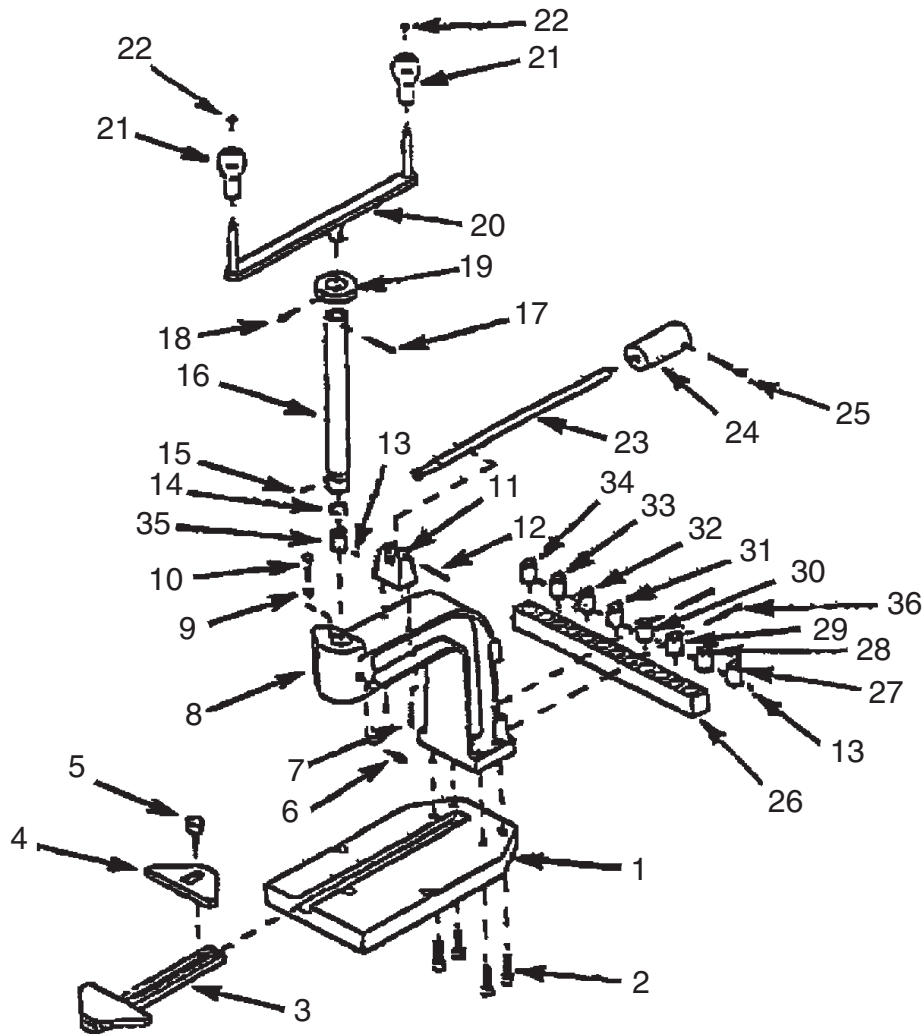


G8748 Parts Breakdown and List



REF	PART #	DESCRIPTION
1	P8748001	BASE
2	PSB84M	CAP SCREW M10-1.5 X 35
3	P8748003	FIXED JAW
4	P8748004	MOVABLE JAW
5	P8748005	KNOB
6	P8748006	GREASE FITTING
7	PB95M	HEX BOLT M5-.8 X 16
8	P8748008	L-FRAME
9	PN06M	HEX NUT M5-.8
10	PB93M	HEX BOLT M5-.8 X 30
11	P8748011	LEVER BRACKET
12	P8748012	DOWEL PIN 4 X 30MM
13	PSS07M	SET SCREW M5-.8 X 5
14	P8748014	CLIP
15	P8748015	STEEL BALL 3/16
16	P8748016	SPINDLE
17	P8748017	TAPER PIN
18	PSS04M	SET SCREW M6-1 X 12

REF	PART #	DESCRIPTION
19	P8748019	COLLAR
20	P8748020	HANDLE
21	P8748021	KNOB
22	PR36M	EXT RETAINING RING 7MM
23	P8748023	LEVER
24	P8748024	COUNTERBALANCE
25	P8748025	THUMB SCREW
26	P8748026	ADAPTER RACK
27	P8748027	#6 ADAPTER
28	P8748028	#8 ADAPTER
29	P8748029	#10 ADAPTER
30	P8748030	1/4" ADAPTER
31	P8748031	5/16" ADAPTER
32	P8748032	3/8" ADAPTER
33	P8748033	7/16" ADAPTER
34	P8748034	1/2" ADAPTER
35	P8748035	5/8" ADAPTER
36	PS100M	PHLP HD SCR M5-.8 X 40

