

# Grizzly<sup>®</sup>

**Industrial, Inc.**

## 18 GAUGE STAPLER KIT

### MODEL G6042/3

### PARTS LIST



Model G6042



Model G6043

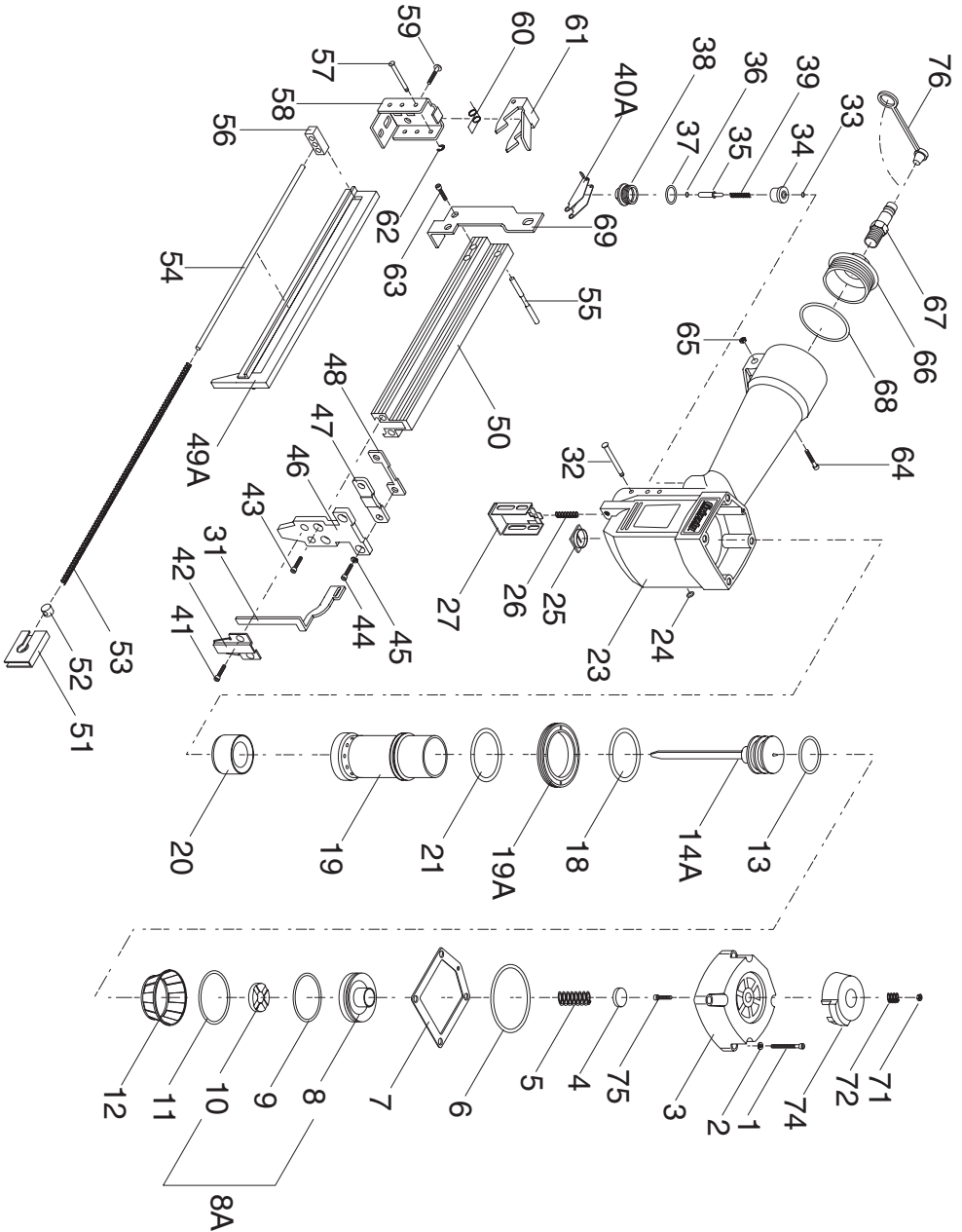
COPYRIGHT © OCTOBER, 2001 BY GRIZZLY INDUSTRIAL, INC.  
1821 VALENCIA ST., BELLINGHAM, WA 98227

**WARNING: NO PORTION OF THIS MANUAL MAY BE REPRODUCED IN ANY SHAPE OR FORM WITHOUT THE WRITTEN APPROVAL OF GRIZZLY INDUSTRIAL, INC.**  
PRINTED IN TAIWAN

#### **PARTS LIST DISCLAIMER**

THIS PARTS LIST AND DRAWINGS REPRESENT THE CONFIGURATION OF THE MACHINE AS IT IS CURRENTLY BEING SHIPPED. THE MACHINE CONFIGURATION CAN CHANGE AS PRODUCT IMPROVEMENTS ARE INCORPORATED. IF YOU OWN AN EARLIER VERSION OF THE MACHINE, THIS PARTS LIST MAY NOT DEPICT YOUR MACHINE EXACTLY. CONTACT CUSTOMER SERVICE IF YOU HAVE ANY QUESTIONS ABOUT PART DIFFERENCES. PREVIOUS PARTS LIST VERSIONS ARE NOT AVAILABLE ONLINE.

# G6042 PART BREAKDOWN

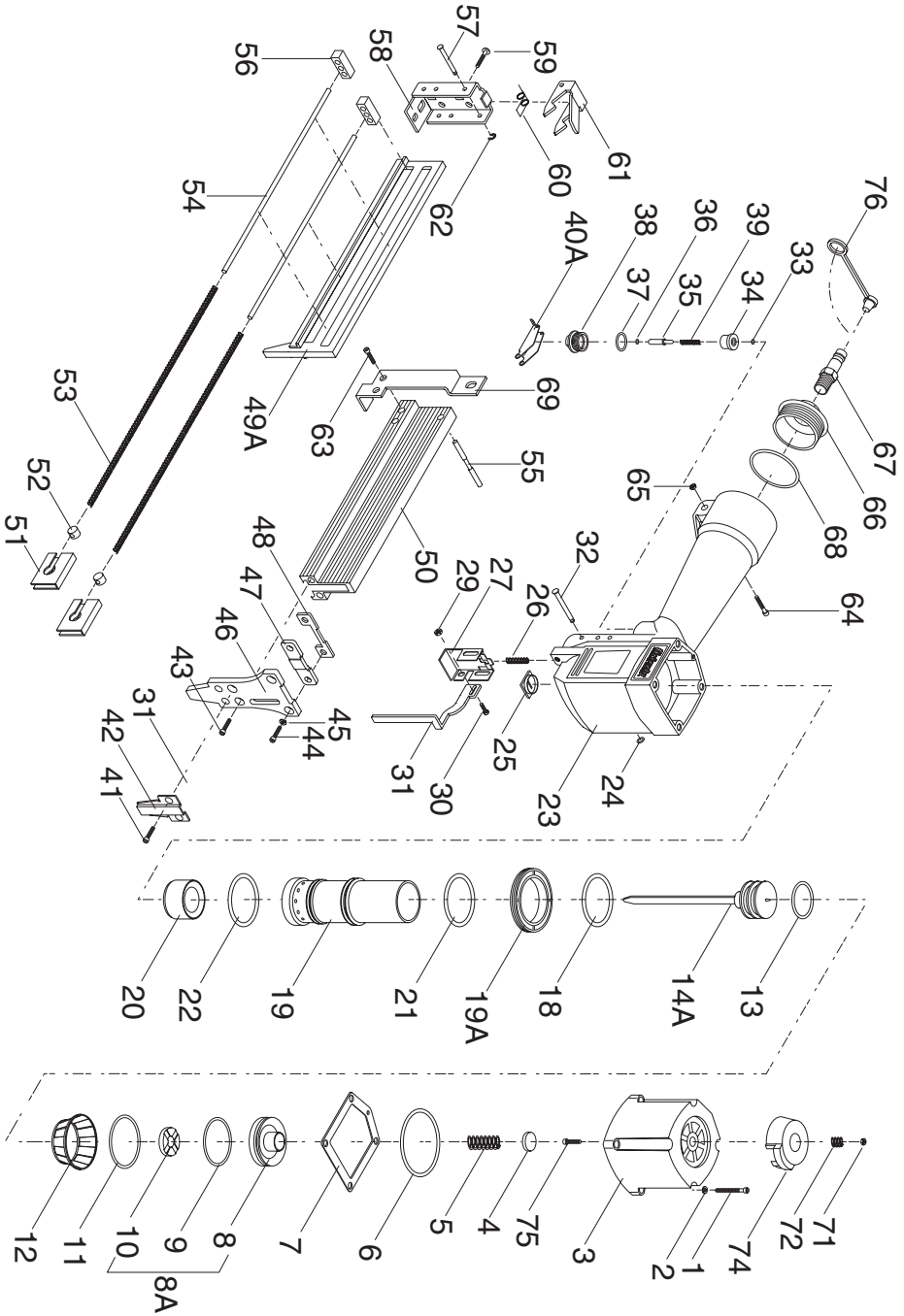


REF	PART #	DESCRIPTION
01	P6042001	CAP SCREW
02	P6042002	LOCK WASHER
03	P6042003	CAP
04	P6042004	SEAL
05	P6042005	SPRING
06	P6042006	O-RING
07	P6042007	CAP SEAL
08	P6042008	PISTON HEAD VALVE
08A	P604200A	PISTON HEAD ASSY
09	P6042009	O-RING
10	P6042010	STOPPER
11	P6042011	O-RING
12	P6042012	COLLAR
13	P6042013	O-RING
14A	P6042014A	DRIVER ASSEMBLY
18	P6042018	O-RING
19	P6042019	CYLINDER
19A	P6042019A	COLLAR
20	P6042020	BUMPER
21	P6042021	O-RING
23	P6042023	BODY
24	P6042024	E-RING
25	P6042025	JOINT GUIDE
26	P6042026	SPRING
27	P6042027	GUIDE SAFETY LVR
31	P6042031	SAFETY YOKE
32	P6042032	STEPPED PIN
33	P6042033	O-RING
34	P6042034	TRGR VALVE HEAD
35	P6042035	TRGR VALVE STEM
36	P6042036	O-RING
37	P6042037	O-RING
38	P6042038	TRGR VALVE GUIDE
39	P6042039	SPRING
40A	P6042040A	TRIGGER
41	P6041041	CAP SCREW

REF	PART #	DESCRIPTION
42	P6042042	NOSE COVER
43	P6042043	CAP SCREW
44	P6042044	CAP SCREW
45	P6042045	LOCK WASHER
46	P6042046	NOSE
47	P6042047	SET PLATE
48	P6042048	SET PLATE
49A	P6042049A	STAPLE GUIDE UNIT
50	P6042050	MAGAZINE
51	P6042051	PUSHER
52	P6042052	SLIDE BLOCK
53	P6042053	SPRING
54	P6042054	ROD
55	P6042055	SHAFT
56	P6042056	SET BLOCK
57	P6042057	STEPPED PIN
58	P6042058	END CORE
59	P6042059	ROUND HD CAP SCR
60	P6042060	TORSION SPRING
61	P6042061	STOPPER
62	P6042062	E-RING
63	P6042063	CAP SCREW
64	P6042064	CAP SCREW
65	P6042065	LOCK NUT
66	P6042066	COVER
67	P6042067	AIR FITTING
68	P6042068	O-RING
69	P6042069	BRACKET
71	P6042071	LOCK NUT
72	P6042072	SPRING
74	P6042074	EXHAUST COVER
75	P6042075	CAP SCREW
76	PRP50M	RUBBER INLET PLUG
500	P6042500	PISTON/O-RING SET*
501	P6042501	CARRYING CASE*
502	P6042502	O-RING SET*

\* These items are not shown in the illustration.

# G6043 PART BREAKDOWN



REF	PART #	DESCRIPTION
01	P6043001	CAP SCREW
02	P6043002	LOCK WASHER
03	P6043003	CAP
04	P6043004	SEAL
05	P6043005	SPRING
06	P6043006	O-RING
07	P6043007	CAP SEAL
08	P6043008	PISTON HEAD VALVE
08A	P604300A	PISTON HEAD ASSY
09	P6043009	O-RING
10	P6043010	STOPPER
11	P6043011	O-RING
12	P6043012	COLLAR
13	P6043013	O-RING
14A	P6043014A	DRIVER ASSEMBLY
18	P6043018	O-RING
19	P6043019	CYLINDER
19A	P6043019A	COLLAR
20	P6043020	BUMPER
21	P6043021	O-RING
22	P6043022	O-RING
23	P6043023	BODY
24	P6043024	E-RING
25	P6043025	JOINT GUIDE
26	P6043026	SPRING
27	P6043027	GUIDE SAFETY LVR
29	P6043029	LOCK NUT
30	P6043030	PHLP HD SCREW
31	P6043031	SAFETY YOKE
32	P6043032	STEPPED PIN
33	P6043033	O-RING
34	P6043034	TRGR VALVE HEAD
35	P6043035	TRGR VALVE STEM
36	P6043036	O-RING
37	P6043037	O-RING
38	P6043038	TRGR VALVE GUIDE
39	P6043039	SPRING

REF	PART #	DESCRIPTION
40A	P6043040A	TRIGGER
41	P6045041	CAP SCREW
42	P6043042	NOSE COVER
43	P6043043	CAP SCREW
44	P6043044	CAP SCREW
45	P6043045	LOCK WASHER
46	P6043046	NOSE
47	P6043047	SET PLATE
48	P6043048	SET PLATE
49A	P6043049A	STAPLE GUIDE UNIT
50	P6043050	MAGAZINE
51	P6043051	PUSHER
52	P6043052	SLIDE BLOCK
53	P6043053	SPRING
54	P6043054	ROD
55	P6043055	SHAFT
56	P6043056	SET BLOCK
57	P6043057	STEPPED PIN
58	P6043058	END CORE
59	P6043059	CAP SCREW
60	P6043060	TORSION SPRING
61	P6043061	STOPPER
62	P6043062	E-RING
63	P6043063	CAP SCREW
64	P6043064	CAP SCREW
65	P6043065	LOCK NUT
66	P6043066	COVER
67	P6043067	AIR FITTING
68	P6043068	O-RING
71	P6043071	LOCK NUT
72	P6043072	SPRING
74	P6043074	EXHAUST COVER
75	P6043075	CAP SCREW
76	P6043077	RUBBER INLET PLUG
500	P6043500	PISTON/O-RING SET*
501	P6043501	CARRYING CASE*
502	P6043502	O-RING SET*

\* These items are not shown in the illustration.