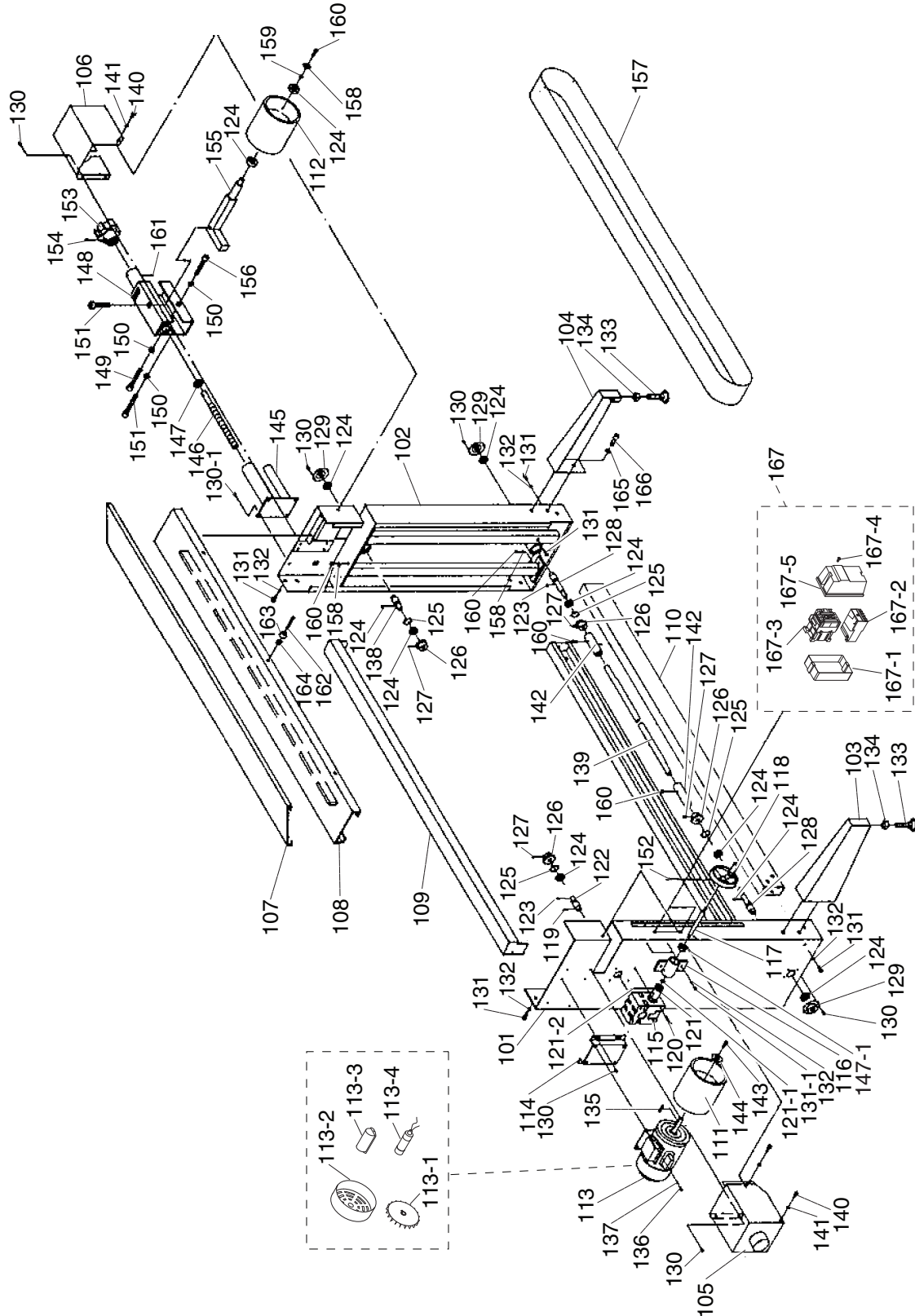


SECTION 9: PARTS

Main Breakdown



Main Parts List

REF	PART #	DESCRIPTION
101	P5394101	LEFT FOOT
102	P5394102	RIGHT FOOT
103	P5394103	LEFT AUXILIARY FOOT
104	P5394104	RIGHT AUXILIARY FOOT
105	P5394105	LEFT PROTECTION COVER
106	P5394106	RIGHT PROTECTION COVER
107	P5394107	SANDER TABLE PROTECTION COVER
108	P5394108	SANDER TABLE
109	P5394109	TOP BEAM
110	P5394110	BOTTOM BEAM
111	P5394111	DRIVING WHEEL
112	P5394112	FOLLOWING WHEEL
113	P5394113	MOTOR 3HP 220V 1PH
113-1	P5394113-1	MOTOR FAN
113-2	P5394113-2	MOTOR FAN COVER
113-3	P5394113-3	CAPACITOR COVER
113-4	P5394113-4	S CAPACITOR 300M 125V 1-7/8 X 3-3/8
114	P5394114	MOTOR SEAT
115	P5394115	GEAR BOX
116	P5394116	SLEEVE BEARING MOUNT
117	P5394117	HAND WHEEL SPINDLE
118	P5394118	HANDWHEEL
119	P5394119	PIN
120	P5394120	CAP SCREW M8-1.25 X 80
121	P5394121	UNIVERSAL JOINT
121-1	P5394121-1	FIXING RING OF UNIVERSAL JOINT
121-2	P5394121-2	FIXING PIN OF UNIVERSAL JOINT
122	P5394122	CHAIN WHEEL ADAPTER
123	P5394123	KEY 7 X 7 X 50
124	P5394124	BALL BEARING 6204ZZ
125	P5394125	EXT RETAINING RING 20MM
126	P5394126	CHAIN WHEEL
127	P5394127	SET SCREW 5/16-18 X 3/8
128	P5394128	CHAIN WHEEL ADAPTER
129	P5394129	BALL BEARING MOUNT
130	P5394130	HEX BOLT 5/16-18 X 1/2
130-1	P5394130-1	HEX BOLT 5/16-18 X 1
131	P5394131	CAP SCREW 3/8-16 X 3/4
131-1	P5394131-1	CAP SCREW 3/8-16 X 1
132	P5394132	LOCK NUT 3/8-16
133	P5394133	FOOT CUSHION

REF	PART #	DESCRIPTION
134	P5394134	LOCK NUT 5/8-11
135	P5394135	KEY 7 X 7 X 50
136	P5394136	HEX BOLT 5/16-18 X 1
137	P5394137	FLAT WASHER 5/16
138	P5394138	CHAIN WHEEL ADAPTER
139	P5394139	CONNECTING ROD
140	P5394140	TRIANGULAR SCREW 1/4-20 X 1/2
141	P5394141	FLAT WASHER 1/4
142	P5394142	SLEEVE COUPLING
143	P5394143	CAP SCREW M6-1 X 20 (LH)
144	P5394144	FLAT WASHER 6MM
145	P5394145	FOLLOWING WHEEL SUPPORT
146	P5394146	ADJUSTING SCREW 3/4-10
147	P5394147	SLEEVE BEARING 16 X 32 X 15.5
147-1	P5394147-1	SLEEVE BEARING 14 X 32 X 15.5
148	P5394148	ADJUSTING SUPPORT
149	P5394149	ADJUSTING SCREW 1/2-12 X 3
150	P5394150	HEX NUT 1/2-12
151	P5394151	ADJUSTING SCREW 1/2-12 X 2
152	P5394152	SET SCREW 5/16-18 X 3/8
153	P5394153	HANDLE
154	P5394154	SET SCREW 5/16-18 X 3/8
155	P5394155	FOLLOWING WHEEL AXLE
156	P5394156	ADJUSTING SCREW 1/2-12 X 2
157	P5394157	SANDER BELT 6" X 186"
158	P5394158	LOCK WASHER 5/16
159	P5394159	FLAT WASHER 4MM
160	P5394160	CAP SCREW M6-1 X 20 (LH)
161	P5394161	SET SCREW 1/4-20 X 1/2
162	P5394162	HEX BOLT 1/4-20 X 1
163	P5394163	PLASTIC CUSHION
164	P5394164	HEX NUT 1/4"-20
165	P5394165	FLAT WASHER 1/2
166	P5394166	CAP SCREW 1/2-13 X 1
167	P5394167	MAGNETIC SWITCH ASSEMBLY
167-1	P5394167-1	SWITCH CASE
167-2	P5394167-2	OL RELAY SDE RA-20
167-3	P5394167-3	CONTACTOR SDE MA-18
167-4	P5394167-4	PLASTIC COVER SCREW
167-5	P5394167-5	SWITCH COVER



Table Assembly Breakdown

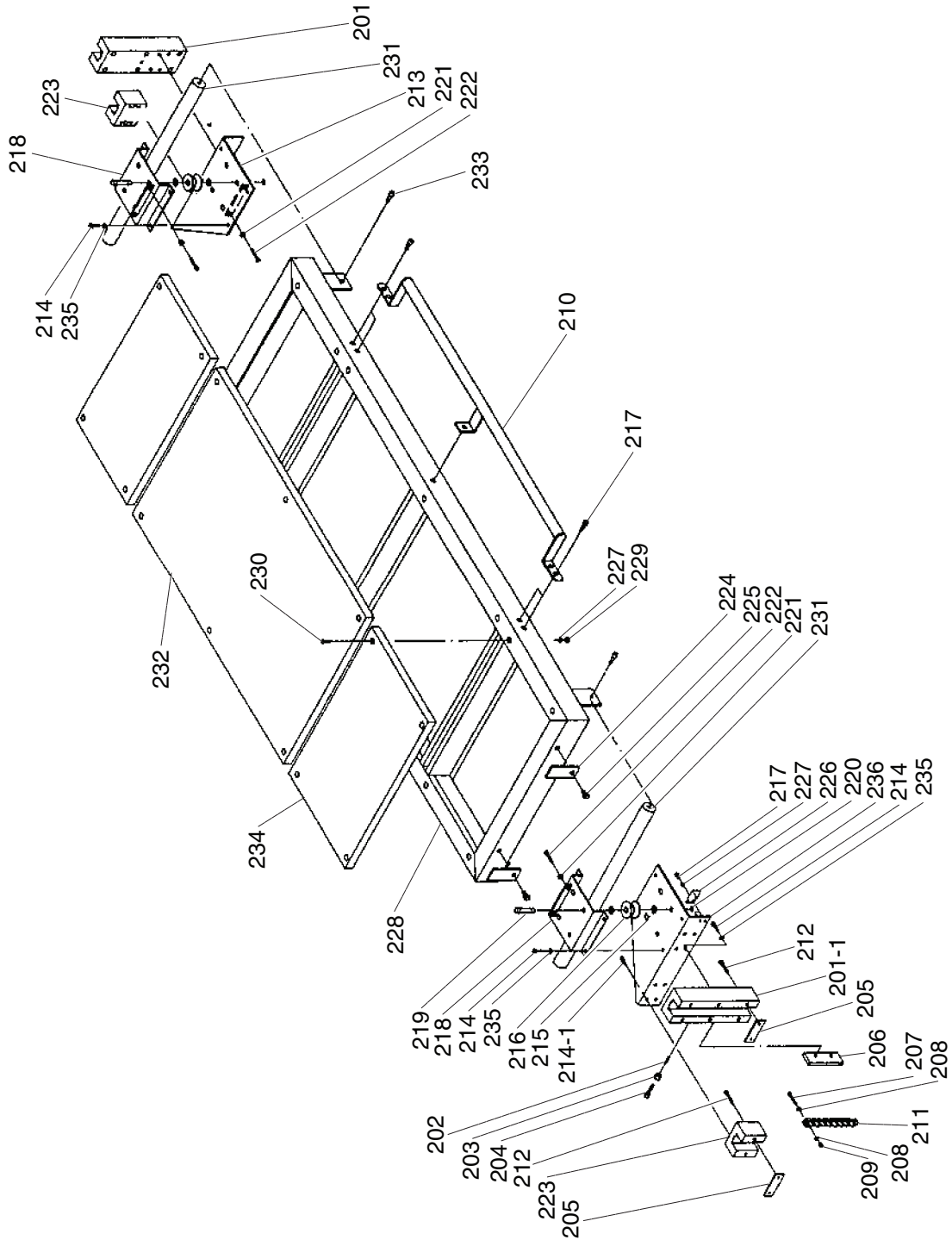


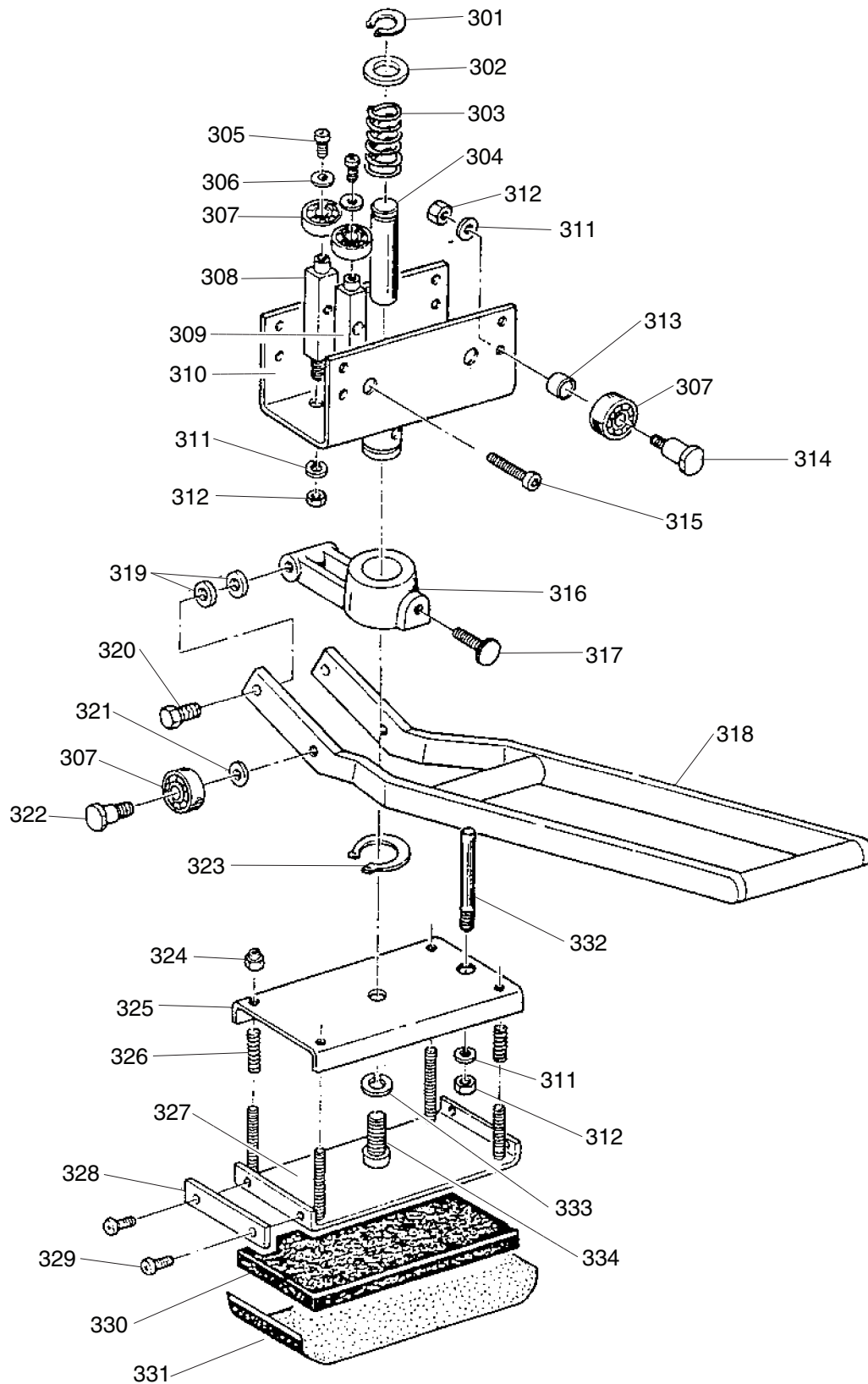
Table Assembly Parts List

REF	PART #	DESCRIPTION
201	P5394201	TABLE BRACKET RIGHT
201-1	P5394201-1	TABLE BRACKET LEFT
202	P5394202	COPPER BAR 5/16" X 10MM
203	P5394203	HEX NUT 3/8"-16
204	P5394204	HEX BOLT 3/8-16 X 1
205	P5394205	PLATE
206	P5394206	KEY WHEEL FIXING PLATE
207	P5394207	SET SCREW 8-32 X 1
208	P5394208	LOCK WASHER #8
209	P5394209	HEX NUT #8-32
210	P5394210	GRIP
211	P5394211	CHAIN
212	P5394212	CAP SCREW 5/16-18 X 2
213	P5394213	TABLE BASE RIGHT
214	P5394214	HEX BOLT 5/16-18 X 3/4
214-1	P5394214-1	CAP SCREW 5/16-18 X 1
215	P5394215	FLAT WASHER 5/16
216	P5394216	GUIDE ROLLER
217	P5394217	HEX BOLT 1/4-20 X 3/8

REF	PART #	DESCRIPTION
218	P5394218	GUIDE ROLLER SEAT
219	P5394219	ARBOR
220	P5394220	EXT RETAINING RING 12MM
221	P5394221	HEX NUT 5/16"-18
222	P5394222	HEX BOLT 5/16-18 X 2
223	P5394223	AUXILIARY SLIDE
224	P5394224	FLAPPER
225	P5394225	HEX BOLT 3/8-16 X 3/4
226	P5394226	SCALE POINTER
227	P5394227	FLAT WASHER 1/4
228	P5394228	WORKTABLE
229	P5394229	HEX NUT 1/4"-20
230	P5394230	FLAT HD SCR 1/4-20 X 1 1/4
231	P5394231	GUIDE BAR
232	P5394232	SYNTHETIC PLATE (LARGE)
233	P5394233	CAP SCREW 3/8-16 X 3/4
234	P5394234	SYNTHETIC PLATE (SMALL)
235	P5394235	LOCK WASHER 5/16
236	P5394236	TABLE BASE LEFT



Platen Press Breakdown



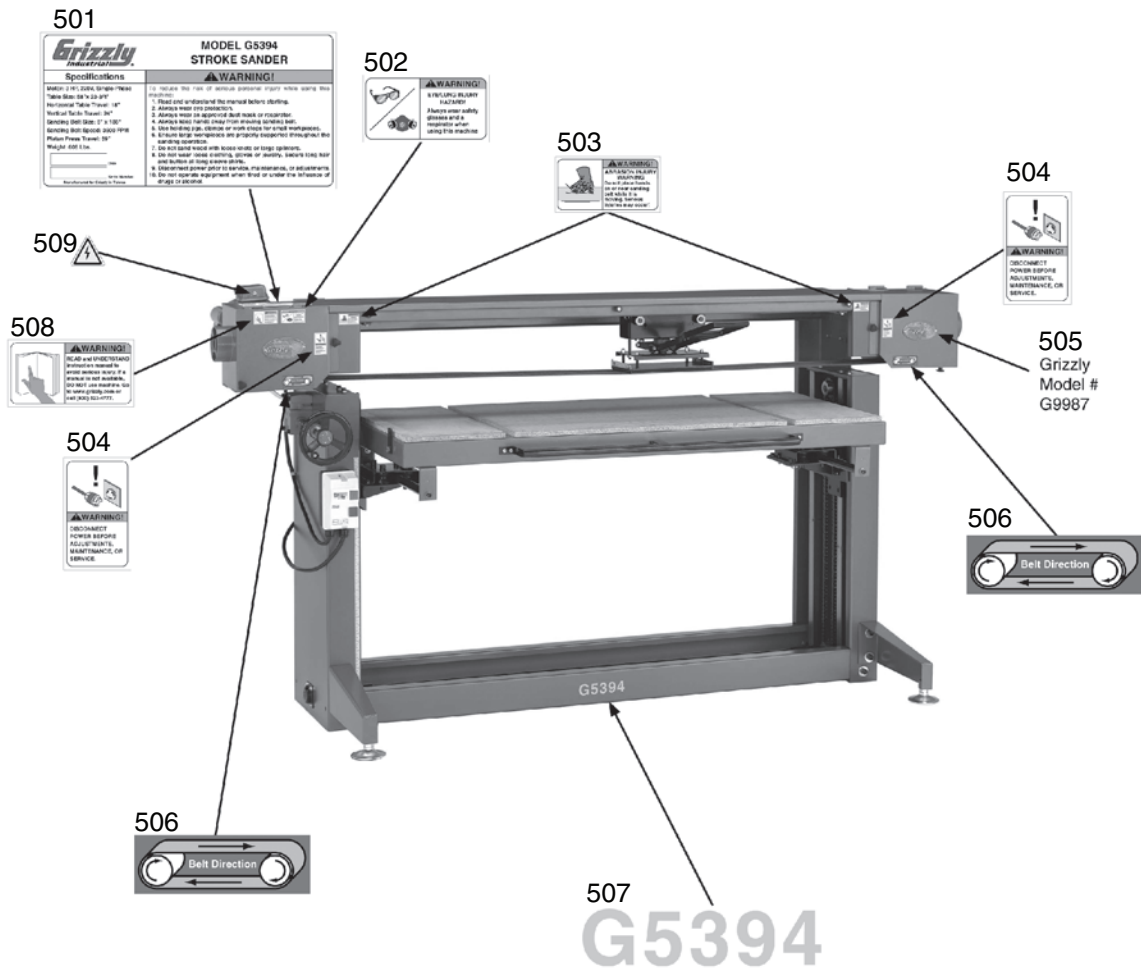
Platen Press Parts List

REF	PART #	DESCRIPTION
301	P5394301	EXT RETAINING RING 25MM
302	P5394302	FLAT WASHER 25MM
303	P5394303	MIDDLE POST SPRING 3.2 X 35 X 82
304	P5394304	MIDDLE POST
305	P5394305	HEX BOLT 1/4-20 X 3/8
306	P5394306	FLAT WASHER 1/4
307	P5394307	BALL BEARING 6001ZZ
308	P5394308	BACK BEARING PILLAR
309	P5394309	FRONT BEARING PILLAR
310	P5394310	UPPER PRESSING PLATE
311	P5394311	LOCK WASHER 3/8
312	P5394312	HEX NUT 3/8"-16
313	P5394313	DISTANCE SLEEVE
314	P5394314	BEARING SHAFT
315	P5394315	CAP SCREW 1/4-20 X 2
316	P5394316	PRESSING PLATE STAND
317	P5394317	OFFSET SCREW 5/16-18 X 3/4

REF	PART #	DESCRIPTION
318	P5394318	PRESSING PLATE HANDLE
319	P5394319	PLASTIC WASHER 8MM
320	P5394320	HEX BOLT 5/16-18 X 3/4
321	P5394321	FLAT WASHER 3/8
322	P5394322	BEARING SHAFT
323	P5394323	EXT RETAINING RING 38MM
324	P5394324	LOCK NUT 1/4-20
325	P5394325	MIDDLE PRESSING PLATE SEAT
326	P5394326	SPRING 1.3 X 9.6 X 42
327	P5394327	LOWER PRESSING PLATE SEAT
328	P5394328	FIXING PLATE
329	P5394329	FLANGE SCREW 10-24 X 3/8
330	P5394330	PAD
331	P5394331	GRAPHITE PAD
332	P5394332	GUIDE POST
333	P5394333	LOCK WASHER 1/2
334	P5394334	CAP SCREW 1/2-13 X 3/4



Labels Breakdown & Parts List



REF	PART #	DESCRIPTION
501	P5394501	MACHINE ID LABEL
502	P5394502	GLASSES/RESPIRATOR LABEL
503	P5394503	HAND ABRASION WARNING
504	P5394504	DISCONNECT WARNING
505	P5394505	GRIZZLY NAMEPLATE

REF	PART #	DESCRIPTION
506	P5394506	BELT DIRECTION LABEL
507	P5394507	MODEL NUMBER LABEL
508	P5394508	READ MANUAL LABEL
509	P5394509	ELECTRICITY LABEL 0.7"

WARNING

Safety labels help reduce the risk of serious injury caused by machine hazards. If any label comes off or becomes unreadable, the owner of this machine **MUST** replace it in the original location before resuming operations. For replacements, contact (800) 523-4777 or www.grizzly.com.

