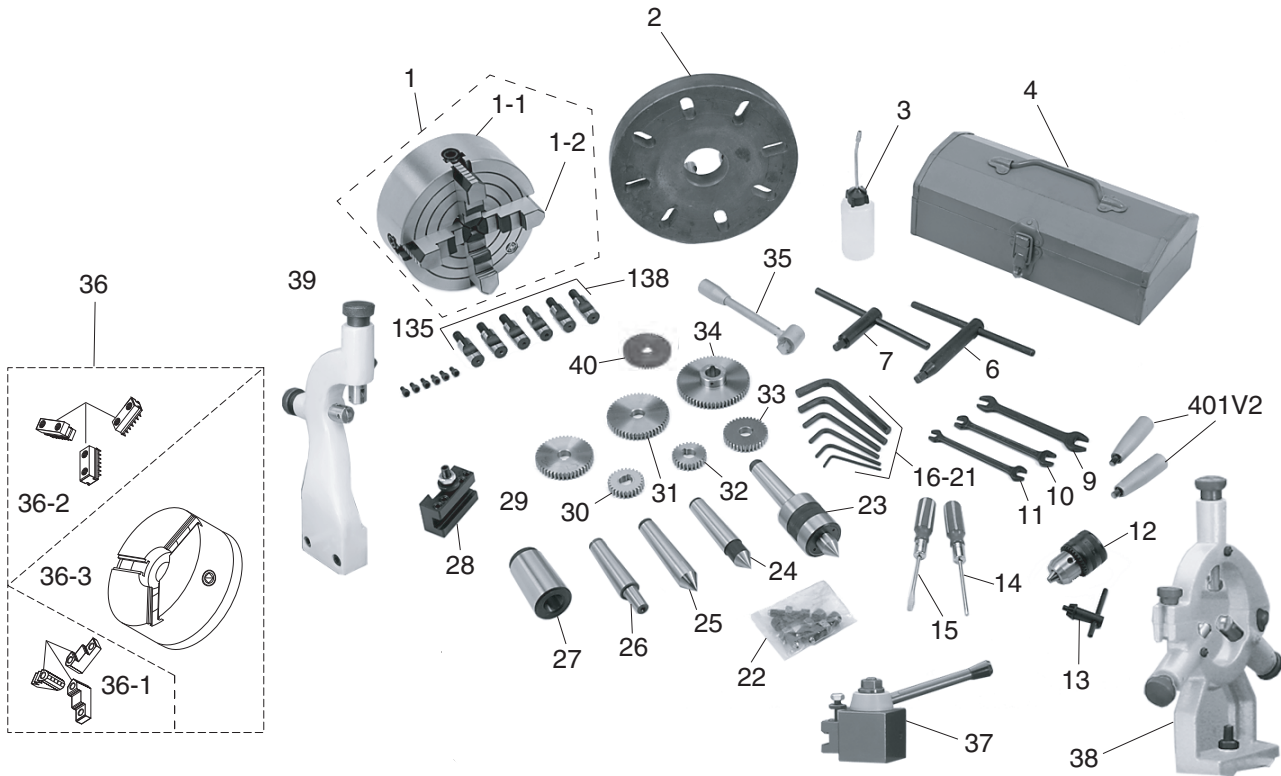


SECTION 9: PARTS

Accessories



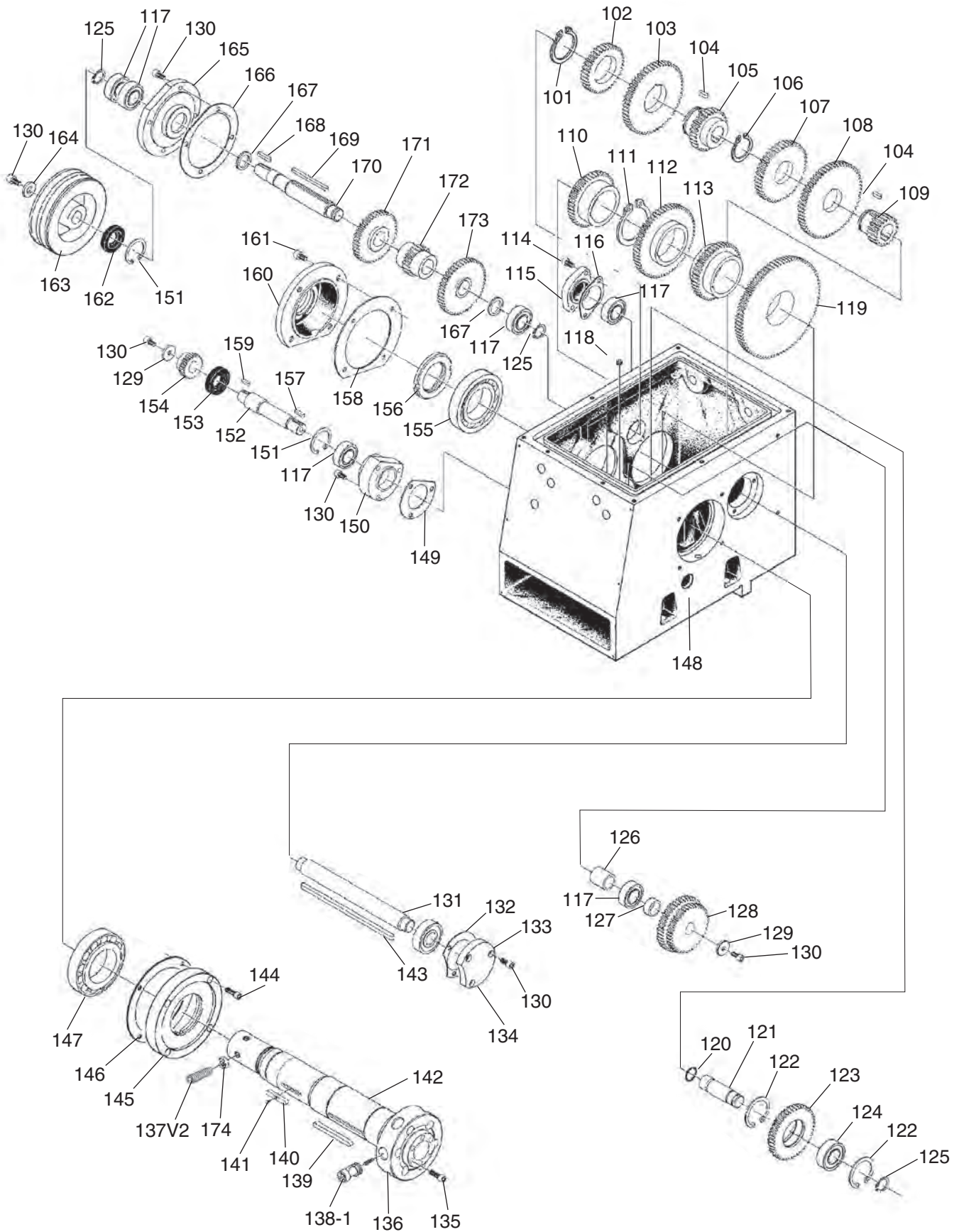
| REF | PART # | DESCRIPTION |
|-----|--------------|----------------------------------|
| 1 | P4003G0001 | 4-JAW INDEPENDENT CHUCK ASSEMBLY |
| 1-1 | P4003G0001-1 | 4-JAW INDEPENDENT CHUCK BODY 8" |
| 1-2 | P4003G0001-2 | 4-JAW CHUCK REVERSIBLE JAW |
| 2 | P4003G0002 | FACEPLATE 10" D1-5 |
| 3 | P4003G0003 | BOTTLE FOR OIL |
| 4 | P4003G0004 | TOOLBOX |
| 6 | P4003G0006 | CHUCK WRENCH 4-JAW |
| 7 | P4003G0007 | CHUCK WRENCH 3-JAW |
| 9 | P4003G0009 | WRENCH 12 X 14MM OPEN-ENDS |
| 10 | P4003G0010 | WRENCH 10 X 12MM OPEN-ENDS |
| 11 | P4003G0011 | WRENCH 9 X 11MM OPEN-ENDS |
| 12 | P4003G0012 | DRILL CHUCK B16 1.5-13MM |
| 13 | P4003G0013 | DRILL CHUCK KEY |
| 14 | P4003G0014 | SCREWDRIVER PHILLIPS #2 |
| 15 | P4003G0015 | SCREWDRIVER FLAT #2 |
| 16 | P4003G0016 | HEX WRENCH 10MM |
| 17 | P4003G0017 | HEX WRENCH 8MM |
| 18 | P4003G0018 | HEX WRENCH 6MM |
| 19 | P4003G0019 | HEX WRENCH 5MM |
| 20 | P4003G0020 | HEX WRENCH 4MM |
| 21 | P4003G0021 | HEX WRENCH 2MM |
| 22 | P4003G0022 | SPIDER BOLT SET SCREW (4-PK) |
| 23 | P4003G0023 | LIVE CENTER MT#3 |

| REF | PART # | DESCRIPTION |
|-------|--------------|---------------------------------------|
| 24 | P4003G0024 | DEAD CENTER MT#3 CARBIDE TIPPED |
| 25 | P4003G0025 | DEAD CENTER MT#3 HSS |
| 26 | P4003G0026 | DRILL CHUCK ARBOR MT#3/B16 |
| 27 | P4003G0027 | SPINDLE SLEEVE MT#5-MT#3 |
| 28 | P4003G0028 | QUICK-CHANGE TOOL HOLDER ASSY |
| 29 | P4003G0029 | GEAR 45T |
| 30 | P4003G0030 | GEAR 27T |
| 31 | P4003G0031 | GEAR 50T |
| 32 | P4003G0032 | GEAR 26T |
| 33 | P4003G0033 | GEAR 35T |
| 34 | P4003G0034 | GEAR 60T |
| 35 | P4003G0035 | TAILSTOCK WRENCH |
| 36 | P4003G0036 | 3-JAW CHUCK ASSEMBLY 6" D1-5 SCROLL |
| 36-1 | P4003G0036-1 | 3-JAW CHUCK TOP JAW SET |
| 36-2 | P4003G0036-2 | 3-JAW CHUCK BOTTOM JAW SET |
| 36-3 | P4003G0036-3 | 3-JAW CHUCK BODY 6" |
| 37 | P4003G0037 | QUICK-CHANGE TOOL POST ASSY |
| 38 | P4003G0038 | STEADY REST ASSEMBLY |
| 39 | P4003G0039 | FOLLOW REST ASSEMBLY |
| 40 | P4003G0040 | GEAR 36T |
| 135 | P4003G0135 | CAP SCREW M6-1 X 16 DOG-PT |
| 138 | P4003G0138 | CAMLOCK STUD D1-5 |
| 401V2 | P4003G0401V2 | HANDWHEEL HANDLE M8-1.25 X 8 V2.04.12 |

Please Note: We do our best to stock replacement parts whenever possible, but we cannot guarantee that all parts shown here are available for purchase. Call (800) 523-4777 or visit our online parts store at www.grizzly.com to check for availability.



Headstock Gearing



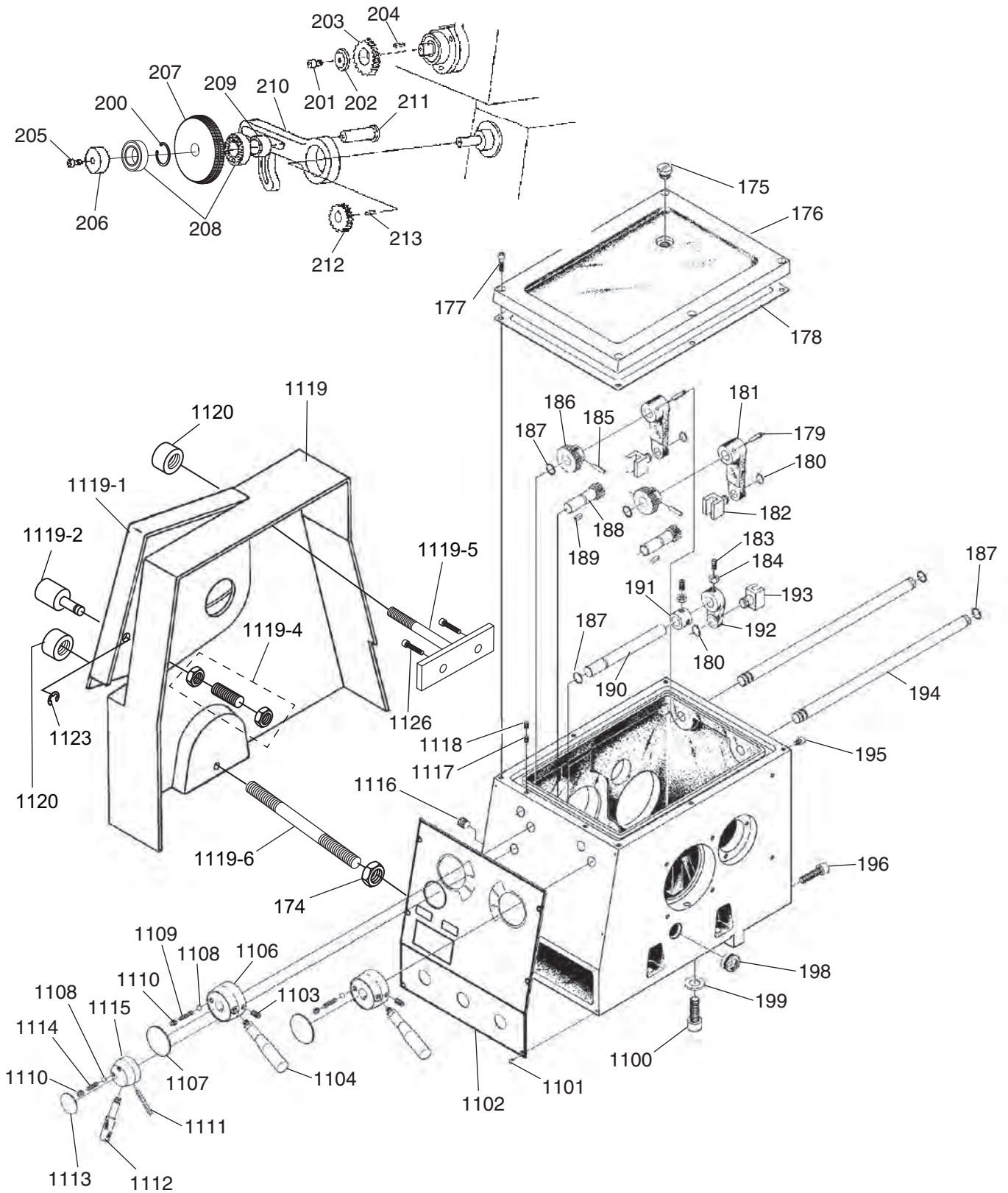
Headstock Gearing Parts List

| REF | PART # | DESCRIPTION |
|-------|--------------|------------------------------------|
| 101 | P4003G0101 | EXT RETAINING RING 45MM |
| 102 | P4003G0102 | GEAR 36T |
| 103 | P4003G0103 | GEAR 55T |
| 104 | P4003G0104 | KEY 5 X 5 X 18 |
| 105 | P4003G0105 | GEAR 35T |
| 106 | P4003G0106 | EXT RETAINING RING 36MM |
| 107 | P4003G0107 | GEAR 45T |
| 108 | P4003G0108 | GEAR 58T |
| 109 | P4003G0109 | GEAR 21T |
| 110 | P4003G0110 | GEAR 45T |
| 111 | P4003G0111 | EXT RETAINING RING 58MM |
| 112 | P4003G0112 | GEAR 59T |
| 113 | P4003G0113 | GEAR 46T |
| 114 | P4003G0114 | CAP SCREW M6-1 X 14 |
| 115 | P4003G0115 | GEAR SHAFT COVER (L) |
| 116 | P4003G0116 | GEAR SHAFT COVER (L) GASKET |
| 117 | P4003G0117 | BALL BEARING 6004-2RS |
| 118 | P4003G0118 | SET SCREW M8-1.25 X 6 |
| 119 | P4003G0119 | GEAR 83T |
| 120 | P4003G0120 | O-RING 17 X 2.65 |
| 121 | P4003G0121 | GEAR SHAFT |
| 122 | P4003G0122 | INT RETAINING RING 47MM |
| 123 | P4003G0123 | COMBO GEAR 40/45T |
| 124 | P4003G0124 | BALL BEARING 6004-2RS |
| 125 | P4003G0125 | EXT RETAINING RING 20MM |
| 126 | P4003G0126 | BUSHING |
| 127 | P4003G0127 | SPACER C5 X 20 STEEL |
| 128 | P4003G0128 | COMBO GEAR 45/40T |
| 129 | P4003G0129 | FLAT WASHER 6MM |
| 130 | P4003G0130 | CAP SCREW M6-1 X 16 |
| 131 | P4003G0131 | GEAR SHAFT |
| 132 | P4003G0132 | BALL BEARING 6004-2RS |
| 133 | P4003G0133 | GEAR SHAFT COVER (R) GASKET |
| 134 | P4003G0134 | GEAR SHAFT COVER (R) |
| 135 | P4003G0135 | CAP SCREW M6-1 X 16 DOG-PT |
| 136 | P4003G0136 | COMPRESSION SPRING |
| 137V2 | P4003G0137V2 | SPIDER BOLT SET SCREW M10-1.5 X 30 |

| REF | PART # | DESCRIPTION |
|-------|--------------|------------------------------------|
| 138-1 | P4003G0138-1 | CAMLOCK STUD D1-5 |
| 139 | P4003G0139 | KEY 8 X 8 X 80 |
| 140 | P4003G0140 | KEY 8 X 8 X 45 W/1 HOLE |
| 141 | P4003G0141 | BUTTON HD CAP SCR M3-.5 X 8 |
| 142 | P4003G0142 | SPINDLE D1-5 |
| 143 | P4003G0143 | KEY 8 X 8 X 210 |
| 144 | P4003G0144 | CAP SCREW M6-1 X 20 |
| 145 | P4003G0145 | INBOUND SPINDLE BEARING COVER |
| 146 | P4003G0146 | INBOARD BEARING COVER GASKET |
| 147 | P4003G0147 | TAPER ROLLER BEARING HR 30212J NSK |
| 148 | P4003G0148 | HEADSTOCK HOUSING |
| 149 | P4003G0149 | BEARING BLOCK GASKET |
| 150 | P4003G0150 | BEARING BLOCK |
| 151 | P4003G0151 | INT RETAINING RING 42MM |
| 152 | P4003G0152 | SHAFT |
| 153 | P4003G0153 | OIL SEAL PD25 X 45 X 10 |
| 154 | P4003G0154 | GEAR 40T |
| 155 | P4003G0155 | TAPER ROLLER BEARING HR 30211J NSK |
| 156 | P4003G0156 | SPANNER NUT |
| 157 | P4003G0157 | KEY 5 X 5 X 8 |
| 158 | P4003G0158 | OUTBOARD BEARING COVER GASKET |
| 159 | P4003G0159 | KEY 5 X 5 X 8 |
| 160 | P4003G0160 | OUTBOUND SPINDLE BEARING COVER |
| 161 | P4003G0161 | CAP SCREW M8-1.25 X 12 |
| 162 | P4003G0162 | OIL SEAL PD20 X 45 X 10 |
| 163 | P4003G0163 | SPINDLE PULLEY |
| 164 | P4003G0164 | FENDER WASHER 6MM |
| 165 | P4003G0165 | PULLEY SHAFT COVER |
| 166 | P4003G0166 | PULLEY SHAFT COVER GASKET |
| 167 | P4003G0167 | SPINDLE PULLEY SHAFT SPACER |
| 168 | P4003G0168 | KEY 5 X 5 X 30 |
| 169 | P4003G0169 | KEY 5 X 5 X 80 |
| 170 | P4003G0170 | SPINDLE PULLEY SHAFT |
| 171 | P4003G0171 | GEAR 42T |
| 172 | P4003G0172 | GEAR 23T |
| 173 | P4003G0173 | GEAR 47T |
| 174 | P4003G0174 | HEX NUT M10-1.5 |



Headstock Controls



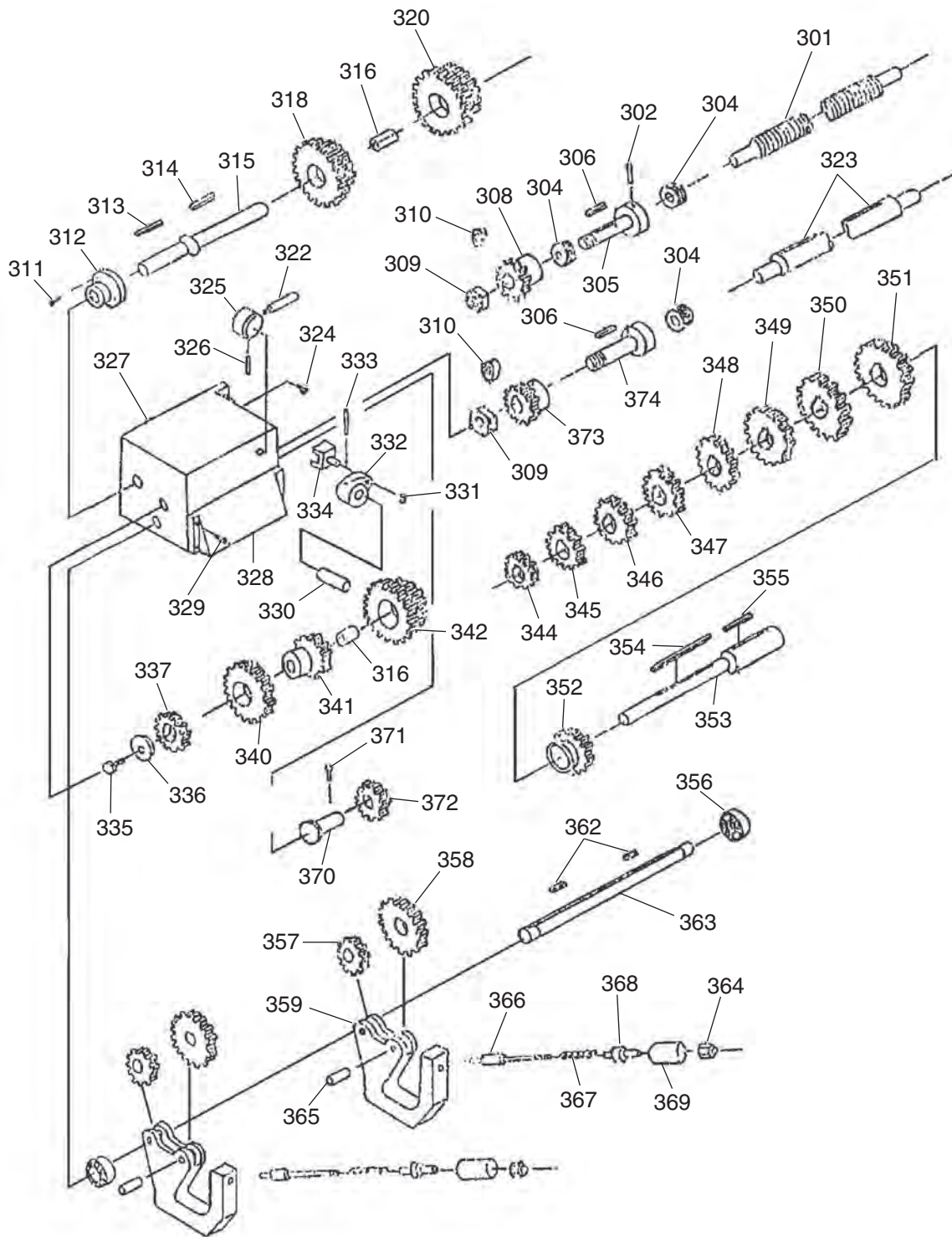
Headstock Controls Parts List

| REF | PART # | DESCRIPTION |
|-----|------------|--------------------------------|
| 174 | P4003G0174 | HEX NUT M10-1.5 |
| 175 | P4003G0175 | OIL FILL PLUG 3/4" NPT PLASTIC |
| 176 | P4003G0176 | HEADSTOCK TOP COVER |
| 177 | P4003G0177 | CAP SCREW M6-1 X 25 |
| 178 | P4003G0178 | HEADSTOCK TOP COVER GASKET |
| 179 | P4003G0179 | ROLL PIN 5 X 30 |
| 180 | P4003G0180 | EXT RETAINING RING 12MM |
| 181 | P4003G0181 | SPINDLE SPEED SHIFTING ARM |
| 182 | P4003G0182 | SPINDLE SPEED SHIFTING FORK |
| 183 | P4003G0183 | SET SCREW M8-1.25 X 16 |
| 184 | P4003G0184 | HEX NUT M8-1.25 |
| 185 | P4003G0185 | ROLL PIN 5 X 25 |
| 186 | P4003G0186 | GEAR 38T |
| 187 | P4003G0187 | O-RING 11.2 X 2.65 |
| 188 | P4003G0188 | PINION SHAFT |
| 189 | P4003G0189 | KEY 5 X 5 X 8 |
| 190 | P4003G0190 | SHAFT |
| 191 | P4003G0191 | LOCK COLLAR |
| 192 | P4003G0192 | FEED DIRECTION SHIFTING ARM |
| 193 | P4003G0193 | FEED DIRECTION SHIFTING FORK |
| 194 | P4003G0194 | SPINDLE SPEED SHAFT |
| 195 | P4003G0195 | CAP SCREW M6-1 X 10 |
| 196 | P4003G0196 | CAP SCREW M8-1.25 X 30 |
| 198 | P4003G0198 | OIL SIGHT GLASS M20-1.5 |
| 199 | P4003G0199 | FLAT WASHER 12MM |
| 200 | P4003G0200 | INT RETAINING RING 35MM |
| 201 | P4003G0201 | CAP SCREW M6-1 X 12 |
| 202 | P4003G0202 | GEAR FLAT WASHER 6MM |
| 203 | P4003G0203 | GEAR 40T |
| 204 | P4003G0204 | KEY 5 X 5 X 30 |
| 205 | P4003G0205 | CAP SCREW M6-1 X 12 |
| 206 | P4003G0206 | COMBO GEAR FLAT WASHER 6MM |
| 207 | P4003G0207 | COMBO GEAR 86T/91T |

| REF | PART # | DESCRIPTION |
|--------|--------------|--------------------------------------|
| 208 | P4003G0208 | BALL BEARING 6003-2RS |
| 209 | P4003G0209 | BUSHING 42 X 25 X 17MM |
| 210 | P4003G0210 | PIVOT ARM |
| 211 | P4003G0211 | SHAFT |
| 212 | P4003G0212 | GEAR 40T |
| 213 | P4003G0213 | KEY 5 X 5 X 30 |
| 1100 | P4003G1100 | CAP SCREW M12-1.75 X 30 |
| 1101 | P4003G1101 | PHLP HD SCR M3-.5 X 6 |
| 1102 | P4003G1102 | HEADSTOCK CONTROL PLATE 2-PC ASSY |
| 1103 | P4003G1103 | SET SCREW M6-1 X 12 |
| 1104 | P4003G1104 | SPINDLE SPEED HANDLE M8-1.25 X 40 |
| 1106 | P4003G1106 | SPINDLE SPEED HANDLE HUB |
| 1107 | P4003G1107 | SPINDLE SPEED INFORMATION PLATE |
| 1108 | P4003G1108 | STEEL BALL 6MM |
| 1109 | P4003G1109 | COMPRESSION SPRING 1.2 X 4.8 X 27 |
| 1110 | P4003G1110 | SET SCREW M8-1.25 X 8 |
| 1111 | P4003G1111 | ROLL PIN 5 X 40 |
| 1112 | P4003G1112 | FEED DIRECTION HANDLE M10-1.5 X 10 |
| 1113 | P4003G1113 | FEED DIRECTION INFORMATION PLATE |
| 1114 | P4003G1114 | COMPRESSION SPRING 1 X 5 X 16 |
| 1115 | P4003G1115 | FEED DIRECTION HANDLE HUB |
| 1116 | P4003G1116 | HEADSTOCK OIL DRAIN PLUG 3/8" NPT |
| 1117 | P4003G1117 | SET SCREW M6-1 X 10 |
| 1118 | P4003G1118 | SET SCREW M6-1 X 6 |
| 1119 | P4003G1119 | END GEAR COVER |
| 1119-1 | P4003G1119-1 | SPIDER SAFETY COVER |
| 1119-2 | P4003G1119-2 | SPIDER COVER KNOB BOLT M16-2.0 |
| 1119-4 | P4003G1119-4 | STUD-FT M10-1.5 X 35 W/NUTS |
| 1119-5 | P4003G1119-5 | END GEAR COVER TOP BOLT M10-1.5 X 78 |
| 1119-6 | P4003G1119-6 | STUD-DE M10-1.5 X 122 30RH |
| 1120 | P4003G1120 | KNURLED KNOB M10-1.5 |
| 1123 | P4003G1123 | E-CLIP 15MM |
| 1126 | P4003G1126 | CAP SCREW M6-1 X 8 |



Quick-Change Gearbox



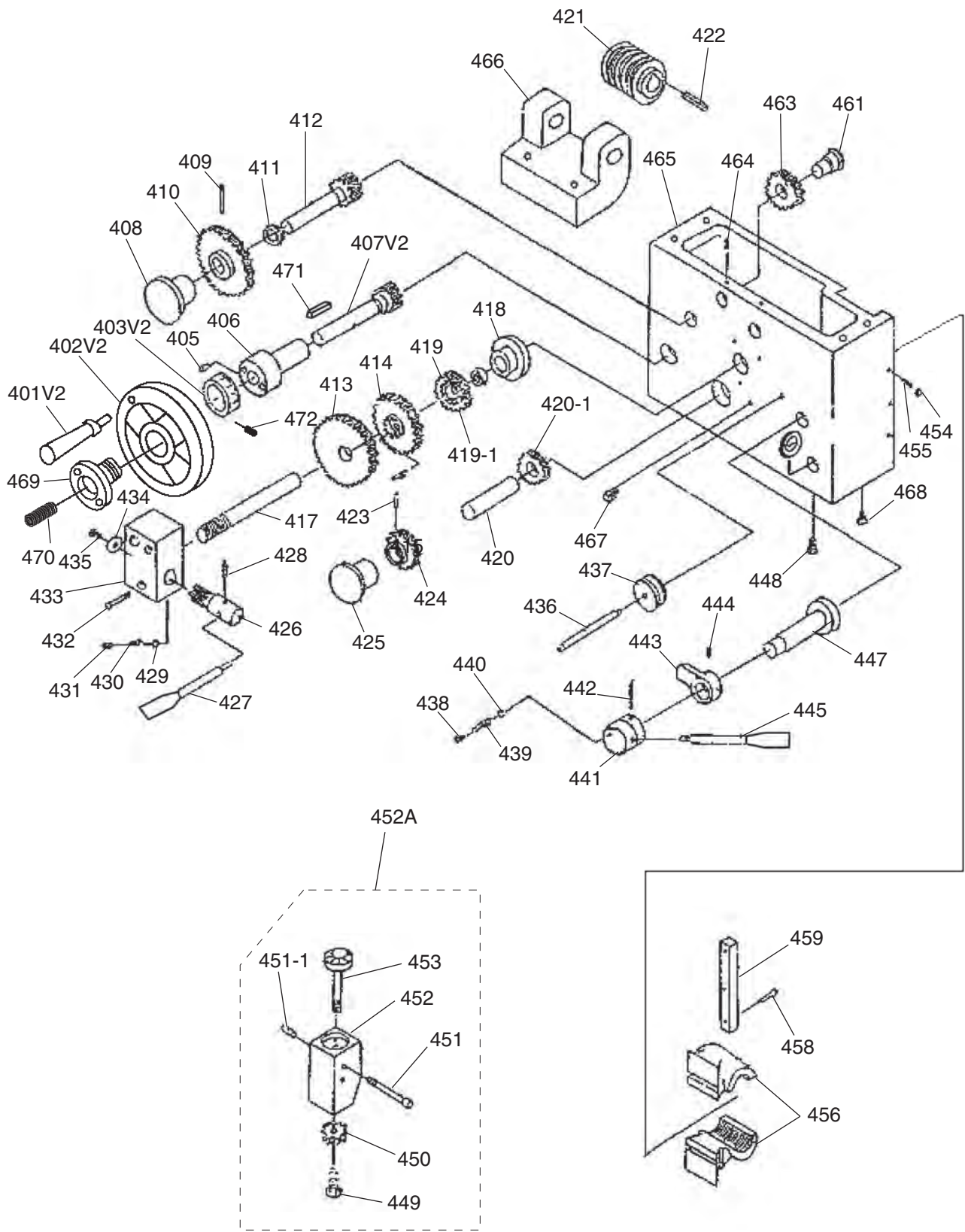
Quick-Change Gearbox Parts List

| REF | PART # | DESCRIPTION |
|-----|------------|------------------------------|
| 301 | P4003G0301 | LONGITUDINAL LEADSCREW |
| 302 | P4003G0302 | ROLL PIN 5 X 36 |
| 304 | P4003G0304 | THRUST BEARING 8103 |
| 305 | P4003G0305 | LEADSCREW CONNECTOR |
| 306 | P4003G0306 | KEY 5 X 5 X 14 |
| 308 | P4003G0308 | GEAR 24T |
| 309 | P4003G0309 | HEX NUT M12-1.75 |
| 310 | P4003G0310 | GEAR FLAT WASHER 12MM |
| 311 | P4003G0311 | CAP SCREW M6-1 X 16 |
| 312 | P4003G0312 | END CAP |
| 313 | P4003G0313 | KEY 5 X 5 X 30 |
| 314 | P4003G0314 | KEY 5 X 5 X 10 |
| 315 | P4003G0315 | SHAFT |
| 316 | P4003G0316 | BUSHING |
| 318 | P4003G0318 | COMBO GEAR 32/16T |
| 320 | P4003G0320 | COMBO GEAR 32/16T |
| 322 | P4003G0322 | FEED SELECTION HANDLE |
| 323 | P4003G0323 | FEED ROD |
| 324 | P4003G0324 | HEX BOLT M10-1.5 X 30 |
| 325 | P4003G0325 | FEED SELECTION HUB |
| 326 | P4003G0326 | ROLL PIN 5 X 40 |
| 327 | P4003G0327 | GEARBOX CASTING |
| 328 | P4003G0328 | QUICK-CHANGE SELECTION PLATE |
| 329 | P4003G0329 | CAP SCREW M6-1 X 16 |
| 330 | P4003G0330 | SHAFT |
| 331 | P4003G0331 | E-CLIP 13MM |
| 332 | P4003G0332 | SHIFT PIVOT |
| 333 | P4003G0333 | ROLL PIN 4 X 30 |
| 334 | P4003G0334 | SHIFT FORK |
| 335 | P4003G0335 | CAP SCREW M6-1 X 12 |
| 336 | P4003G0336 | GEAR FLAT WASHER 6MM |
| 337 | P4003G0337 | GEAR 16T |

| REF | PART # | DESCRIPTION |
|-----|------------|--------------------------|
| 340 | P4003G0340 | GEAR 32T |
| 341 | P4003G0341 | GEAR 16T |
| 342 | P4003G0342 | COMBO GEAR 3PC SET |
| 344 | P4003G0344 | GEAR 16T |
| 345 | P4003G0345 | GEAR 18T |
| 346 | P4003G0346 | GEAR 19T |
| 347 | P4003G0347 | GEAR 20T |
| 348 | P4003G0348 | GEAR 22T |
| 349 | P4003G0349 | GEAR 24T |
| 350 | P4003G0350 | GEAR 26T |
| 351 | P4003G0351 | GEAR 28T |
| 352 | P4003G0352 | GEAR 24T |
| 353 | P4003G0353 | SHAFT |
| 354 | P4003G0354 | KEY 5 X 5 X 75 |
| 355 | P4003G0355 | KEY 5 X 5 X 40 |
| 356 | P4003G0356 | BALL BEARING 6002-2RS |
| 357 | P4003G0357 | GEAR 16T |
| 358 | P4003G0358 | GEAR 32T W/BUSHING |
| 359 | P4003G0359 | QUICK-CHANGE SHIFT LEVER |
| 362 | P4003G0362 | KEY 5 X 5 X 32 |
| 363 | P4003G0363 | SHIFT ROD |
| 364 | P4003G0364 | HEX NUT M6-1 |
| 365 | P4003G0365 | SHAFT |
| 366 | P4003G0366 | SHAFT |
| 367 | P4003G0367 | EXTENSION SPRING |
| 368 | P4003G0368 | SPRING RETAINER |
| 369 | P4003G0369 | SPRING HOUSING |
| 370 | P4003G0370 | SHAFT |
| 371 | P4003G0371 | SET SCREW M8-1.25 X 8 |
| 372 | P4003G0372 | GEAR 15T |
| 373 | P4003G0373 | GEAR 24T |
| 374 | P4003G0374 | SHAFT |



Apron



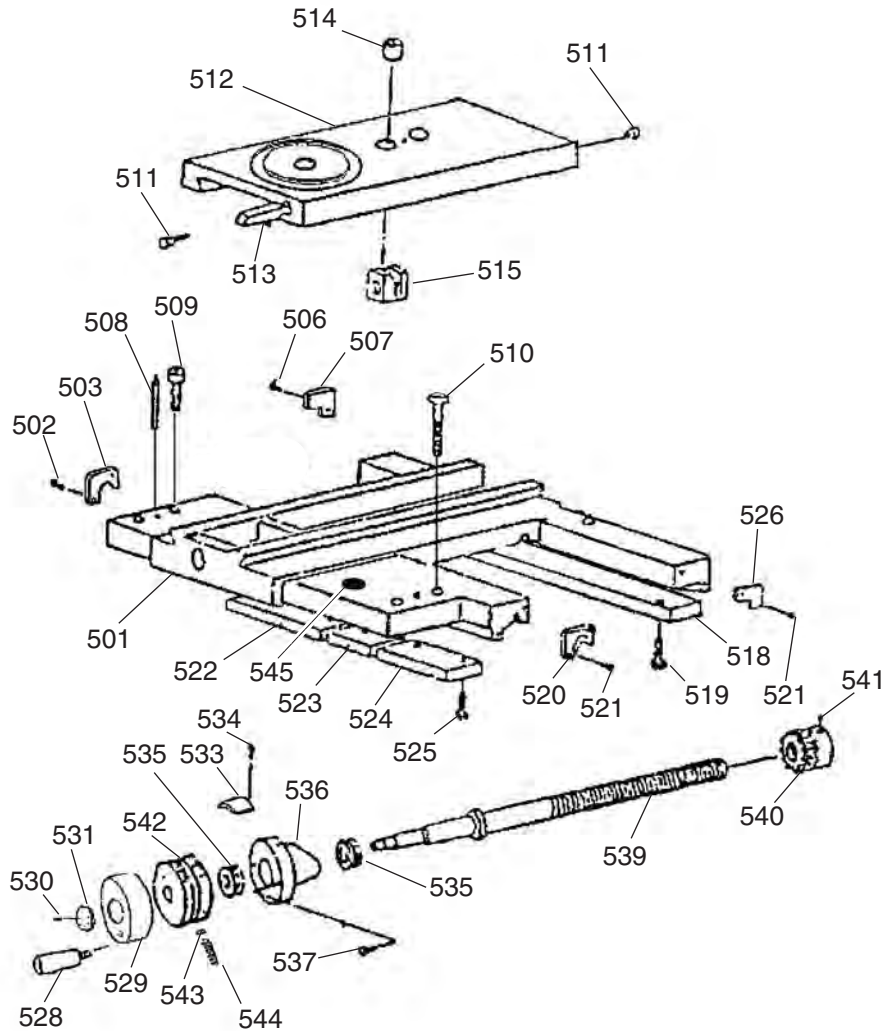
Apron Parts List

| REF | PART # | DESCRIPTION |
|-------|--------------|---------------------------------------|
| 401V2 | P4003G0401V2 | HANDWHEEL HANDLE M8-1.25 X 8 V2.04.12 |
| 402V2 | P4003G0402V2 | CARRIAGE HANDWHEEL V2.04.12 |
| 403V2 | P4003G0403V2 | GRADUATED DIAL V2.04.12 |
| 405 | P4003G0405 | SET SCREW M6-1 X 20 |
| 406 | P4003G0406 | HANDWHEEL BRACKET |
| 407V2 | P4003G0407V2 | GEAR SHAFT 12T W/KEYWAY V2.04.12 |
| 408 | P4003G0408 | CASTING PLUG |
| 409 | P4003G0409 | ROLL PIN 5 X 30 |
| 410 | P4003G0410 | GEAR 50T |
| 411 | P4003G0411 | EXT RETAINING RING 19MM |
| 412 | P4003G0412 | GEAR SHAFT 11T |
| 413 | P4003G0413 | GEAR 48T |
| 414 | P4003G0414 | GEAR 51T |
| 415 | P4003G0415 | ROLL PIN 5 X 30 |
| 417 | P4003G0417 | WORM SHAFT |
| 418 | P4003G0418 | END CAP |
| 419 | P4003G0419 | GEAR 25T |
| 419-1 | P4003G0419-1 | SPACER |
| 420 | P4003G0420 | SHAFT |
| 420-1 | P4003G0420-1 | GEAR 24T |
| 421 | P4003G0421 | WORM GEAR |
| 422 | P4003G0422 | KEY 5 X 5 X 45 |
| 423 | P4003G0423 | ROLL PIN 5 X 24 |
| 424 | P4003G0424 | GEAR 14T |
| 425 | P4003G0425 | CASTING PLUG |
| 426 | P4003G0426 | GEAR SHAFT 10T |
| 427 | P4003G0427 | FEED SELECTION LEVER M8-1.25 X 8 |
| 428 | P4003G0428 | ROLL PIN 5 X 24 |
| 429 | P4003G0429 | STEEL BALL 6MM |
| 430 | P4003G0430 | COMPRESSION SPRING |
| 431 | P4003G0431 | SET SCREW M6-1 X 8 |
| 432 | P4003G0432 | CAP SCREW M6-1 X 45 |
| 433 | P4003G0433 | FEED SELECTION BRACKET |
| 434 | P4003G0434 | FLAT WASHER 6MM |
| 435 | P4003G0435 | CAP SCREW M6-1 X 40 |

| REF | PART # | DESCRIPTION |
|-------|--------------|-----------------------------------|
| 436 | P4003G0436 | SHAFT |
| 437 | P4003G0437 | SAFETY SHIFTER |
| 438 | P4003G0438 | SET SCREW M8-1.25 X 6 |
| 439 | P4003G0439 | COMPRESSION SPRING |
| 440 | P4003G0440 | STEEL BALL 6MM |
| 441 | P4003G0441 | HALF NUT LEVER HUB |
| 442 | P4003G0442 | ROLL PIN 6 X 40 |
| 443 | P4003G0443 | HALF NUT DOG |
| 444 | P4003G0444 | SET SCREW M8-1.25 X 30 |
| 445 | P4003G0445 | HALF NUT LEVER M8-1.25 X 8 155L |
| 447 | P4003G0447 | SHAFT |
| 448 | P4003G0448 | CAP SCREW M6-1 X 65 |
| 449 | P4003G0449 | CAP SCREW M6-1 X 15 |
| 450 | P4003G0450 | GEAR 16T |
| 451 | P4003G0451 | CAP SCREW M6-1 X 60 BLK C12.9 USA |
| 451-1 | P4003G0451-1 | SLEEVE |
| 452 | P4003G0452 | THREAD DIAL BODY |
| 452A | P4003G0452A | THREADED DIAL ASSEMBLY |
| 453 | P4003G0453 | THREAD DIAL |
| 454 | P4003G0454 | HEX NUT M6-1 |
| 455 | P4003G0455 | SET SCREW M6-1 X 16 |
| 456 | P4003G0456 | HALF NUT 2-PC |
| 458 | P4003G0458 | CAP SCREW M6-1 X 25 |
| 459 | P4003G0459 | HALF NUT GIB |
| 461 | P4003G0461 | SHAFT |
| 463 | P4003G0463 | GEAR 25T |
| 464 | P4003G0464 | SET SCREW M6-1 X 6 |
| 465 | P4003G0465 | APRON HOUSING |
| 466 | P4003G0466 | WORM BRACKET |
| 467 | P4003G0467 | OIL SIGHT GLASS M20-1.5 |
| 468 | P4003G0468 | CAP SCREW M10-1.5 X 20 |
| 469 | P4003G0469 | HANDWHEEL RETAINER |
| 470 | P4003G0470 | SET SCREW M6-1 X 20 |
| 471 | P4003G0471 | KEY 5 X 5 X 20 |
| 472 | P4003G0472 | SET SCREW M6-1 X 8 |



Saddle & Cross Slide

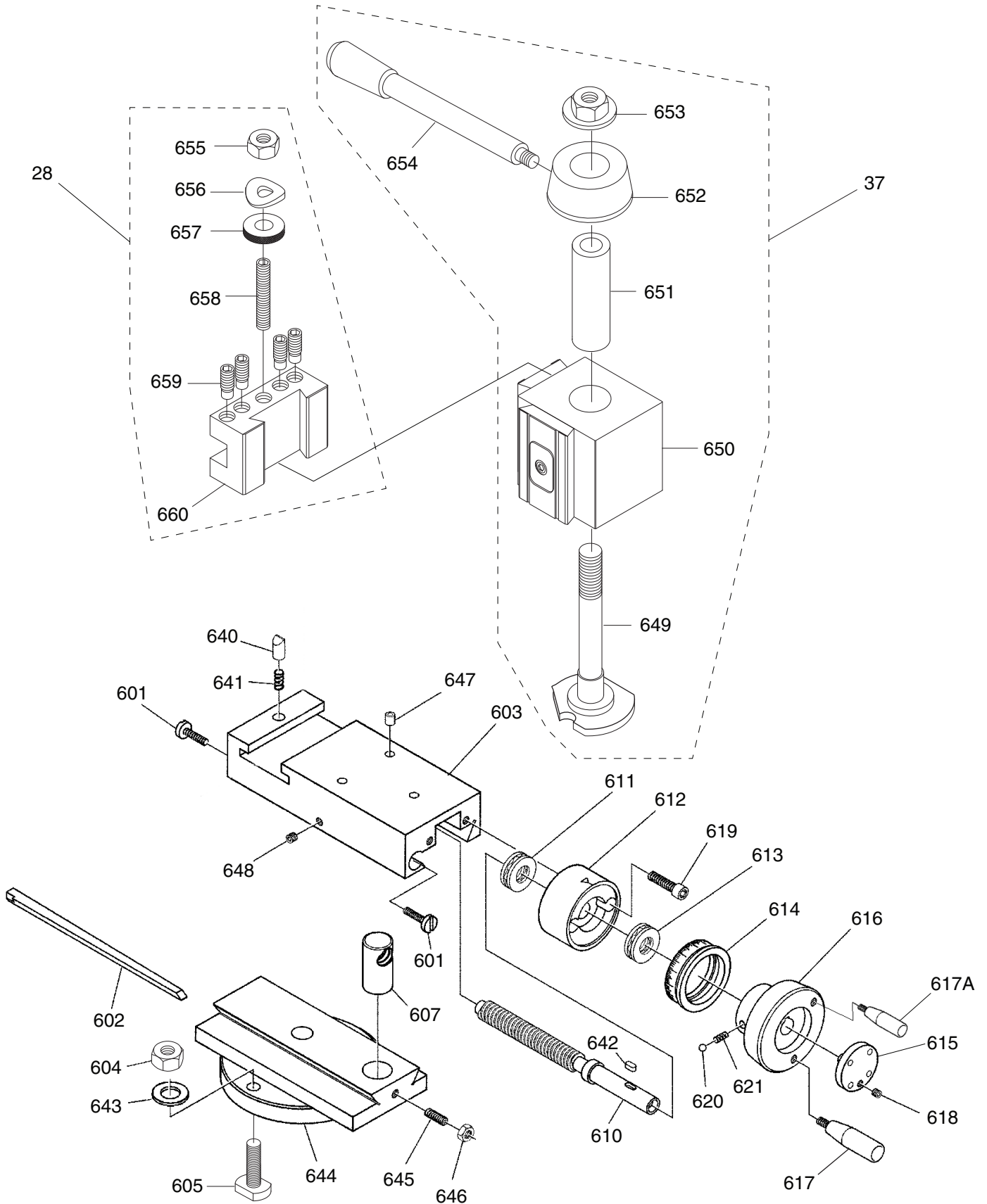


| REF | PART # | DESCRIPTION |
|-----|------------|----------------------------------|
| 501 | P4003G0501 | SADDLE |
| 502 | P4003G0502 | PHLP HD SCR M3-.5 X 14 |
| 503 | P4003G0503 | SADDLE WIPER W/PLATE LEFT FRONT |
| 506 | P4003G0506 | PHLP HD SCR M5-.8 X 14 |
| 507 | P4003G0507 | SADDLE WIPER W/PLATE LEFT REAR |
| 508 | P4003G0508 | ROLL PIN 5 X 45 |
| 509 | P4003G0509 | CAP SCREW M8-1.25 X 35 |
| 510 | P4003G0510 | CAP SCREW M8-1.25 X 60 |
| 511 | P4003G0511 | GIB SCREW |
| 512 | P4003G0512 | CROSS SLIDE |
| 513 | P4003G0513 | CROSS SLIDE GIB |
| 514 | P4003G0514 | BUSHING |
| 515 | P4003G0515 | LEADSCREW NUT M8-1.25 BRASS |
| 518 | P4003G0518 | SADDLE GIB REAR |
| 519 | P4003G0519 | FLAT HD SCR M8-1.25 X 25 |
| 520 | P4003G0520 | SADDLE WIPER W/PLATE RIGHT FRONT |
| 521 | P4003G0521 | PHLP HD SCR M5-.8 X 14 |
| 522 | P4003G0522 | SADDLE GIB LEFT FRONT |
| 523 | P4003G0523 | SADDLE GIB CENTER FRONT |

| REF | PART # | DESCRIPTION |
|-----|------------|--|
| 524 | P4003G0524 | SADDLE GIB RIGHT FRONT |
| 525 | P4003G0525 | HEX BOLT M8-1.25 X 24 |
| 526 | P4003G0526 | SADDLE WIPER W/PLATE RIGHT REAR |
| 528 | P4003G0528 | HANDWHEEL HANDLE M8-1.25 X 10 V2.04.12 |
| 529 | P4003G0529 | CROSS SLIDE HANDWHEEL |
| 530 | P4003G0530 | SET SCREW M10-1.5 X 12 |
| 531 | P4003G0531 | BACKLASH ADJUSTMENT NUT |
| 533 | P4003G0533 | INDICATOR PLATE |
| 534 | P4003G0534 | RIVET 2 X 5MM NAMEPLATE, STEEL |
| 535 | P4003G0535 | THRUST BEARING 8102 |
| 536 | P4003G0536 | HANDWHEEL BRACKET |
| 537 | P4003G0537 | CAP SCREW M6-1 X 25 |
| 539 | P4003G0539 | CROSS SLIDE LEADSCREW |
| 540 | P4003G0540 | GEAR 13T |
| 541 | P4003G0541 | SET SCREW M8-1.25 X 8 |
| 542 | P4003G0542 | GRADUATED DIAL |
| 543 | P4003G0543 | STEEL BALL 6MM |
| 544 | P4003G0544 | COMPRESSION SPRING 6 X 16MM |
| 545 | P4003G0545 | OIL FILL CAP 3/8 NPT PLASTIC |



Compound Rest & Tool Holder



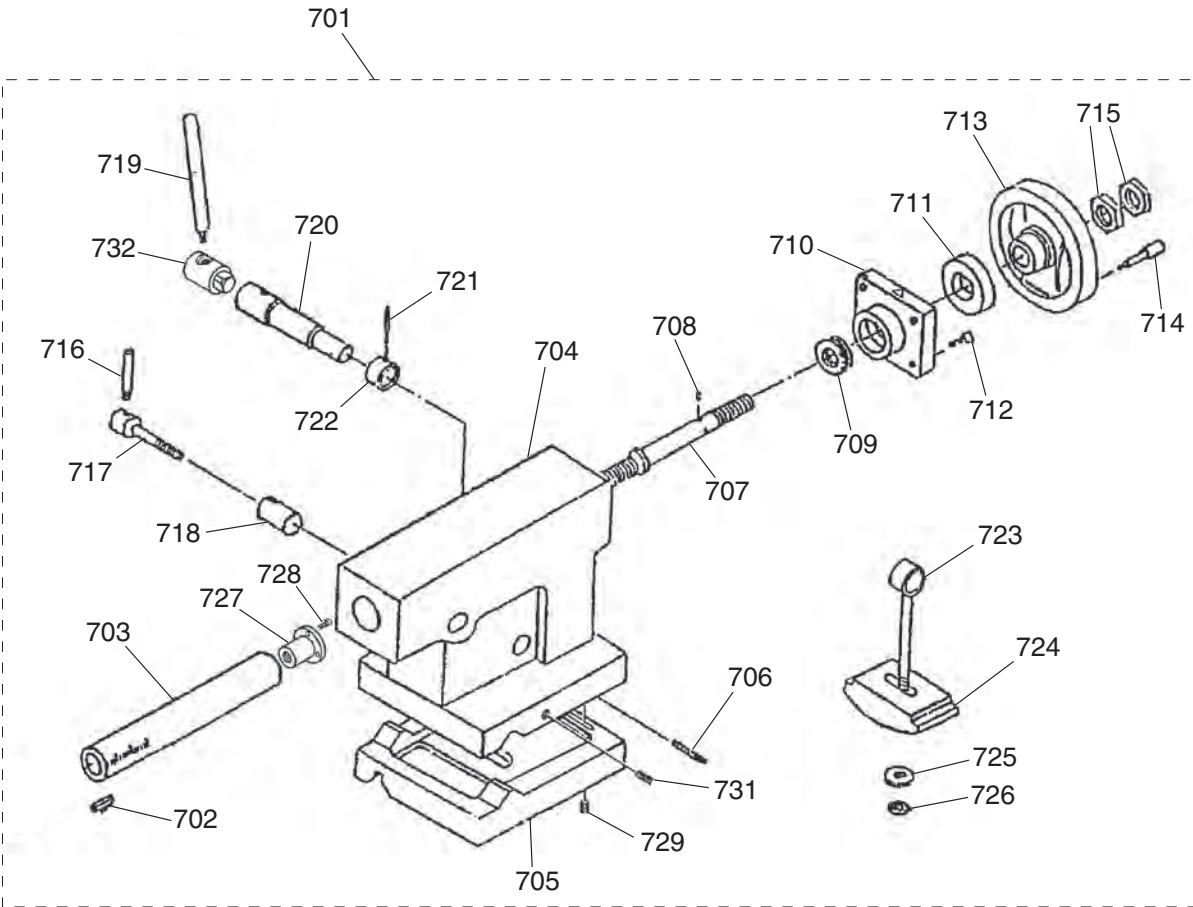
Compound Rest & Tool Holder Parts List

| REF | PART # | DESCRIPTION |
|------|-------------|-------------------------------|
| 28 | P4003G0028 | QUICK-CHANGE TOOL HOLDER ASSY |
| 37 | P4003G0037 | QUICK-CHANGE TOOL POST ASSY |
| 601 | P4003G0601 | GIB SCREW |
| 602 | P4003G0602 | COMPOUND REST GIB |
| 603 | P4003G0603 | COMPOUND REST |
| 604 | P4003G0604 | HEX NUT M8-1.25 |
| 605 | P4003G0605 | COMPOUND REST MOUNTING BOLT |
| 607 | P4003G0607 | COMPOUND REST LEADSCREW NUT |
| 610 | P4003G0610 | COMPOUND REST LEADSCREW |
| 611 | P4003G0611 | THRUST BEARING 8101 |
| 612 | P4003G0612 | HANDWHEEL BRACKET |
| 613 | P4003G0613 | THRUST BEARING 8101 |
| 614 | P4003G0614 | GRADUATED DIAL |
| 615 | P4003G0615 | BACKLASH ADJUSTMENT NUT |
| 616 | P4003G0616 | COMPOUND REST HANDWHEEL |
| 617 | P4003G0617 | HANDLE LARGE M5-.8 X 10 50L |
| 617A | P4003G0617A | HANDLE SMALL M5-.8 X 10 35L |
| 618 | P4003G0618 | SET SCREW M5-.8 X 5 |
| 619 | P4003G0619 | CAP SCREW M6-1 X 15 |
| 620 | P4003G0620 | STEEL BALL 6MM |
| 621 | P4003G0621 | COMPRESSION SPRING 6 X 16MM |

| REF | PART # | DESCRIPTION |
|-----|------------|-------------------------------|
| 640 | P4003G0640 | PLUNGER |
| 641 | P4003G0641 | COMPRESSION SPRING |
| 642 | P4003G0642 | KEY 4 X 4 X 10 |
| 643 | P4003G0643 | FLAT WASHER 8MM |
| 644 | P4003G0644 | SWIVEL SLIDE |
| 645 | P4003G0645 | SET SCREW M6-1 X 16 |
| 646 | P4003G0646 | HEX NUT M6-1 |
| 647 | P4003G0647 | BALL OILER 8MM TAP-IN |
| 648 | P4003G0648 | SET SCREW M6-1 X 8 |
| 649 | P4003G0649 | TOOL POST BOLT M16-1.5 X 35 |
| 650 | P4003G0650 | QUICK CHANGE TOOL POST BLOCK |
| 651 | P4003G0651 | TOOL POST BUSHING |
| 652 | P4003G0652 | TOOL POST HANDLE HUB |
| 653 | P4003G0653 | FLANGE NUT M16-1.5 |
| 654 | P4003G0654 | TOOL POST HANDLE M12-1.75 X 8 |
| 655 | P4003G0655 | HEX NUT M10-1 |
| 656 | P4003G0656 | WAVY WASHER 10MM |
| 657 | P4003G0657 | KNURLED THUMB NUT M10-1 |
| 658 | P4003G0658 | SET SCREW M10-1 X 45 |
| 659 | P4003G0659 | SET SCREW M10-1.5 X 14 DOG-PT |
| 660 | P4003G0660 | TOOL HOLDER BODY |



Tailstock

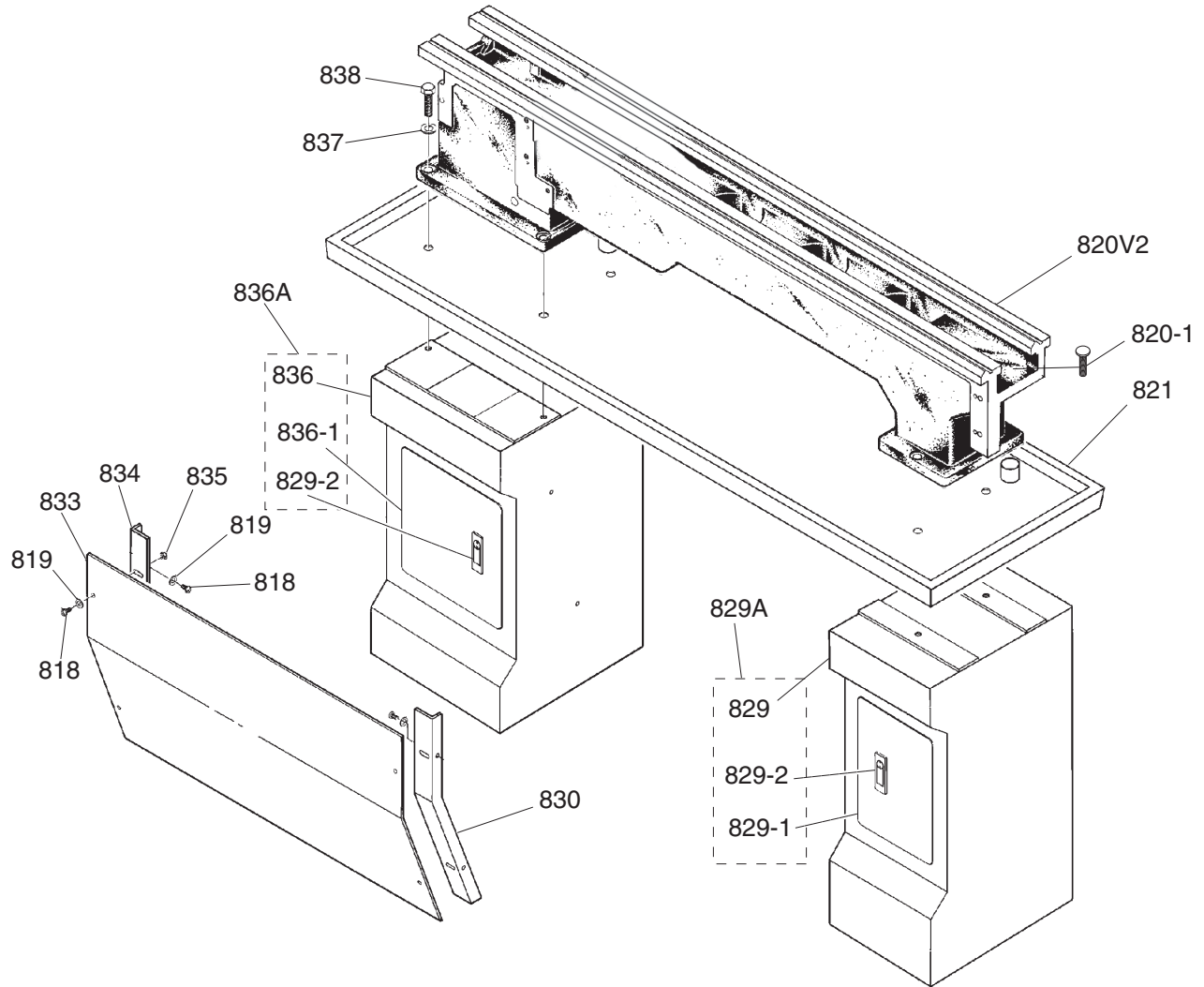


| REF | PART # | DESCRIPTION |
|-----|------------|--------------------------------------|
| 701 | P4003G0701 | TAILSTOCK ASSEMBLY |
| 702 | P4003G0702 | KEY 8 X 8 X 30 |
| 703 | P4003G0703 | QUILL |
| 704 | P4003G0704 | TAILSTOCK BODY |
| 705 | P4003G0705 | CLAMPING BASE |
| 706 | P4003G0706 | SET SCREW M10-1.5 X 50 |
| 707 | P4003G0707 | QUILL LEADSCREW |
| 708 | P4003G0708 | ROLL PIN 4 X 10 |
| 709 | P4003G0709 | THRUST BEARING 8101 |
| 710 | P4003G0710 | HANDWHEEL BRACKET |
| 711 | P4003G0711 | GRADUATED DIAL |
| 712 | P4003G0712 | CAP SCREW M6-1 X 20 |
| 713 | P4003G0713 | QUILL HANDWHEEL |
| 714 | P4003G0714 | HANDWHEEL HANDLE M8-1.25 X 14 88L |
| 715 | P4003G0715 | HEX NUT M12-1.75 |
| 716 | P4003G0716 | QUILL LOCK HANDLE M12-1.75 X 16 170L |

| REF | PART # | DESCRIPTION |
|-----|------------|--|
| 717 | P4003G0717 | QUILL LOCK BOLT |
| 718 | P4003G0718 | LOCK SHAFT |
| 719 | P4003G0719 | TAILSTOCK LOCK HANDLE M10-1.5 X 12 90L |
| 720 | P4003G0720 | TAILSTOCK LOCK SHAFT |
| 721 | P4003G0721 | ROLL PIN 5 X 30 |
| 722 | P4003G0722 | LOCK COLLAR |
| 723 | P4003G0723 | CLAMP BOLT 3-7/8" |
| 724 | P4003G0724 | CLAMP SHOE |
| 725 | P4003G0725 | FLAT WASHER 12MM |
| 726 | P4003G0726 | HEX NUT M12-1.75 |
| 727 | P4003G0727 | QUILL LEADSCREW NUT |
| 728 | P4003G0728 | CAP SCREW M4-.7 X 10 |
| 729 | P4003G0729 | SET SCREW M6-1 X 30 |
| 731 | P4003G0731 | SET SCREW M8-1.25 X 50 |
| 732 | P4003G0732 | HANDLE BASE |



Stand

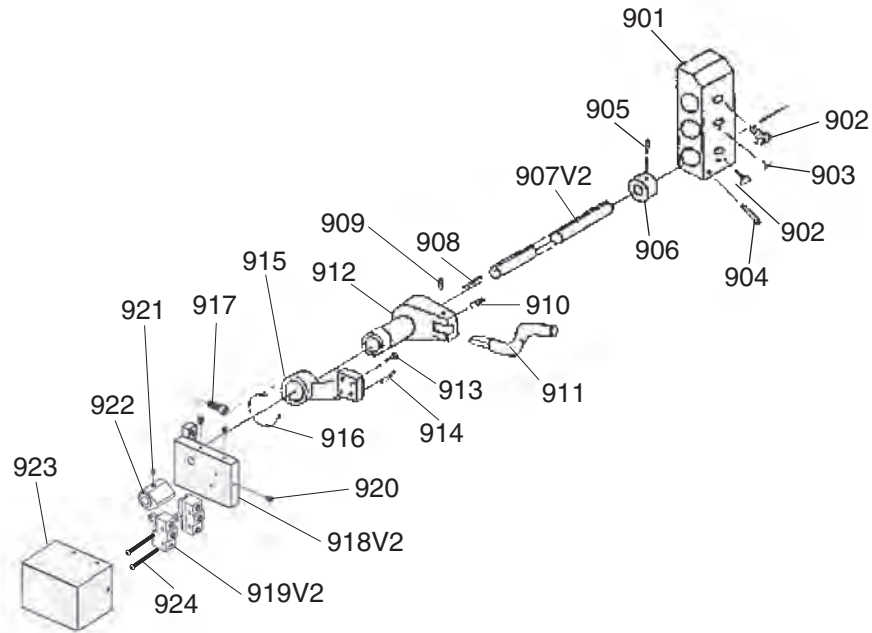


| REF | PART # | DESCRIPTION |
|-------|--------------|-----------------------------------|
| 818 | P4003G0818 | PHLP HD SCR M6-1 X 10 |
| 819 | P4003G0819 | FLAT WASHER 6MM |
| 820V2 | P4003G0820V2 | LATHE BED V2.03.20 |
| 820-1 | P4003G0820-1 | TAILSTOCK STOP BOLT M12-1.75 X 50 |
| 821 | P4003G0821 | CHIP PAN |
| 829 | P4003G0829 | RIGHT STAND |
| 829-1 | P4003G0829-1 | RIGHT STAND DOOR |
| 829-2 | P4003G0829-2 | DOOR LATCH |
| 829A | P4003G0829A | RIGHT STAND ASSEMBLY |

| REF | PART # | DESCRIPTION |
|-------|--------------|---------------------|
| 830 | P4003G0830 | PANEL BRACKET RIGHT |
| 833 | P4003G0833 | CENTER PANEL |
| 834 | P4003G0834 | PANEL BRACKET LEFT |
| 835 | P4003G0835 | HEX NUT M6-1 |
| 836 | P4003G0836 | LEFT STAND |
| 836-1 | P4003G0836-1 | LEFT STAND DOOR |
| 836A | P4003G0836A | LEFT STAND ASSEMBLY |
| 837 | P4003G0837 | FLAT WASHER 14MM |
| 838 | P4003G0838 | HEX BOLT M14-2 X 50 |



Feed Rod

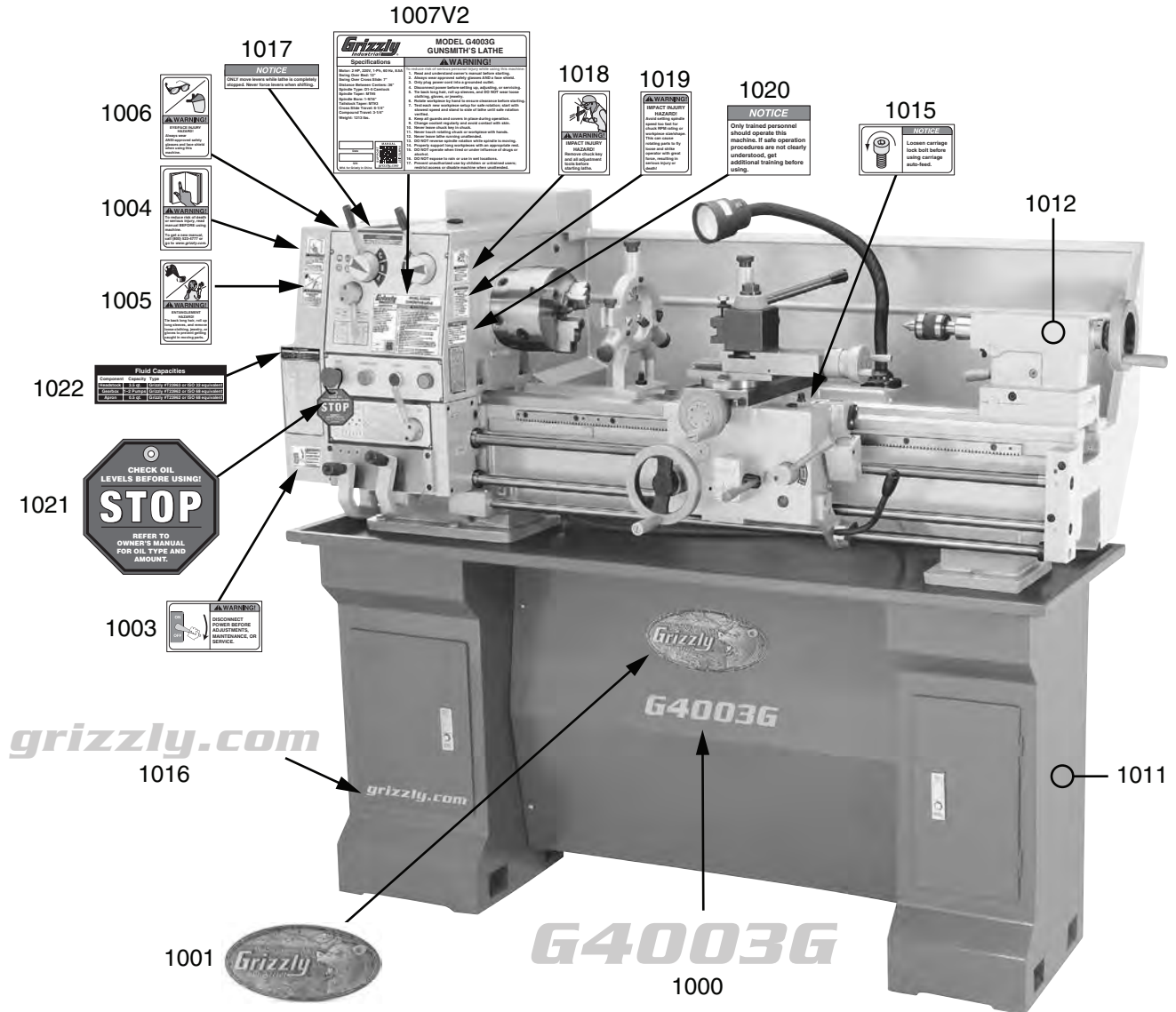


| REF | PART # | DESCRIPTION |
|-------|--------------|------------------------------------|
| 901 | P4003G0901 | END BRACKET |
| 902 | P4003G0902 | CAP SCREW M6-1 X 12 |
| 903 | P4003G0903 | BALL OILER 8MM TAP-IN |
| 904 | P4003G0904 | ROLL PIN 6 X 55 |
| 905 | P4003G0905 | SET SCREW M6-1 X 6 |
| 906 | P4003G0906 | LOCK COLLAR 12 X 20 X 34MM |
| 907V2 | P4003G0907V2 | SPINDLE ROD V2.12.14 |
| 908 | P4003G0908 | KEY 5 X 5 X 35 |
| 909 | P4003G0909 | ROLL PIN 4 X 20 |
| 910 | P4003G0910 | COMPRESSION SPRING 7020 |
| 911 | P4003G0911 | SPINDLE SWITCH HANDLE M10-1.5 X 16 |
| 912 | P4003G0912 | HANDLE BRACKET |

| REF | PART # | DESCRIPTION |
|-------|--------------|--------------------------------|
| 913 | P4003G0913 | CAP SCREW M6-1 X 14 |
| 914 | P4003G0914 | ROLL PIN 5 X 25 |
| 915 | P4003G0915 | SUPPORT BRACKET |
| 916 | P4003G0916 | EXT RETAINING RING 30MM |
| 917 | P4003G0917 | CAP SCREW M8-1.25 X 25 |
| 918V2 | P4003G0918V2 | CONNECTION BRACKET V2.12.14 |
| 919V2 | P4003G0919V2 | SPINDLE ON/OFF SWITCH V2.12.14 |
| 920 | P4003G0920 | CAP SCREW M4-.7 X 6 |
| 921 | P4003G0921 | SET SCREW M6-1 X 8 |
| 922 | P4003G0922 | SPINDLE SWITCH ARM |
| 923 | P4003G0923 | SPINDLE SWITCH BOX |
| 924 | P4003G0924 | BUTTON HD CAP SCR M4-.7 X 45 |



Labels & Cosmetics, Front



| REF | PART # | DESCRIPTION |
|--------|--------------|-------------------------------|
| 1000 | P4003G1000 | MODEL NUMBER LABEL |
| 1001 | P4003G1001 | GRIZZLY NAMEPLATE-MINI |
| 1003 | P4003G1003 | DISCONNECT LABEL |
| 1004 | P4003G1004 | READ MANUAL LABEL |
| 1005 | P4003G1005 | ENTANGLEMENT HAZARD LABEL |
| 1006 | P4003G1006 | FACESHIELD/GLASSES LABEL |
| 1007V2 | P4003G1007V2 | MACHINE ID LABEL V2.03.20 |
| 1011 | P4003G1011 | TOUCH-UP PAINT, GRIZZLY GREEN |
| 1012 | P4003G1012 | TOUCH-UP PAINT, GRIZZLY PUTTY |

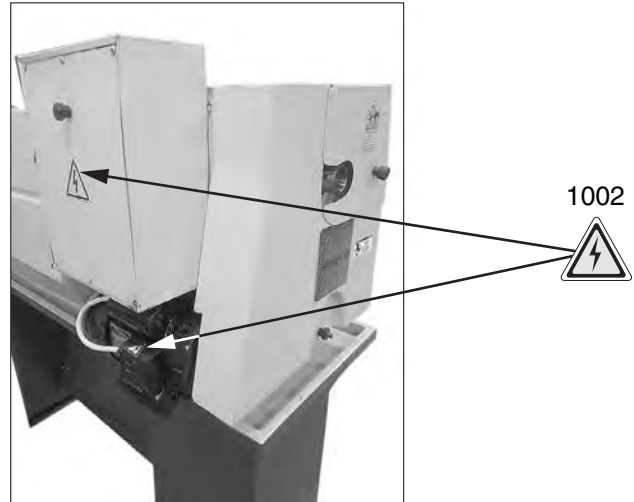
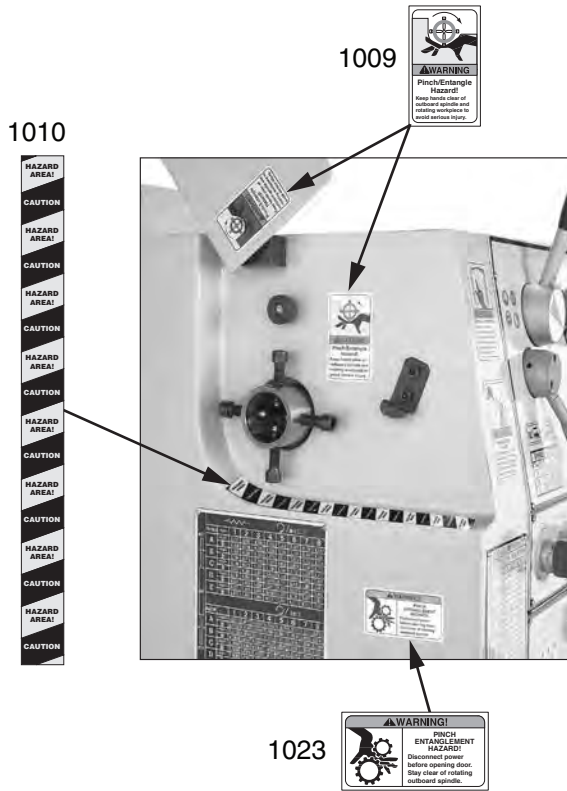
| REF | PART # | DESCRIPTION |
|------|------------|--------------------------------|
| 1015 | P4003G1015 | CARRIAGE LOCK BOLT NOTICE |
| 1016 | P4003G1016 | GRIZZLY.COM LABEL |
| 1017 | P4003G1017 | LEVERS NOTICE LABEL |
| 1018 | P4003G1018 | IMPACT INJURY WARNING LABEL |
| 1019 | P4003G1019 | SPINDLE SPEED WARNING LABEL |
| 1020 | P4003G1020 | TRAINED OPERATORS NOTICE LABEL |
| 1021 | P4003G1021 | CHECK OIL LEVEL TAG |
| 1022 | P4003G1022 | FLUID CAPACITIES LABEL |

WARNING

Safety labels help reduce the risk of serious injury caused by machine hazards. If any label comes off or becomes unreadable, the owner of this machine **MUST** replace it in the original location before resuming operations. For replacements, contact (800) 523-4777 or www.grizzly.com.



Labels & Cosmetics, Rear & Side



| REF | PART # | DESCRIPTION |
|------|------------|---------------------------------|
| 1002 | P4003G1002 | ELECTRICITY LABEL |
| 1009 | P4003G1009 | PINCH/ENTANGLEMENT HAZARD LABEL |

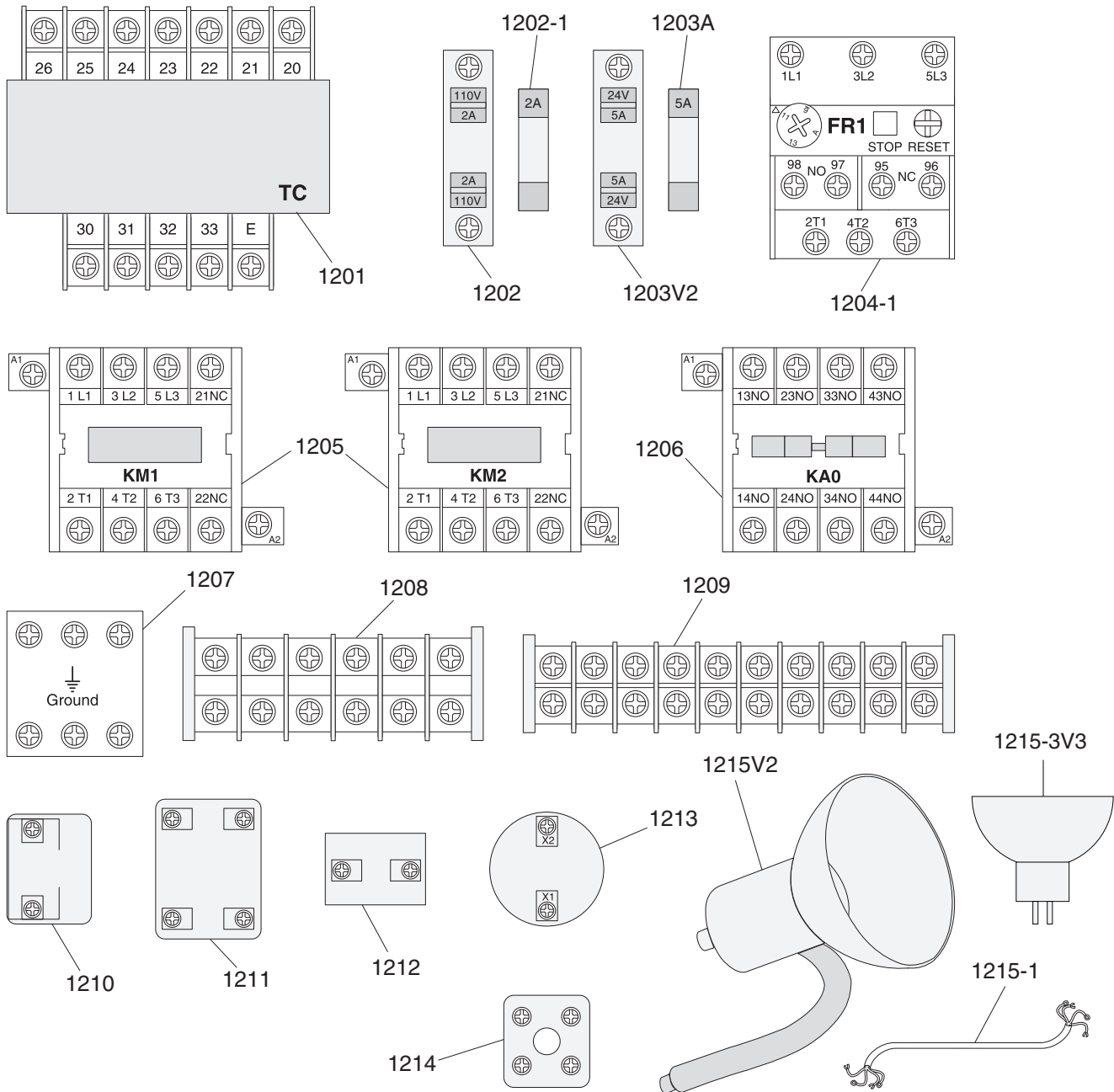
| REF | PART # | DESCRIPTION |
|------|------------|------------------------------|
| 1010 | P4003G1010 | OUTBOARD WARNING STRIP LABEL |
| 1023 | P4003G1023 | END GEAR ENTANGLEMENT LABEL |

WARNING

Safety labels help reduce the risk of serious injury caused by machine hazards. If any label comes off or becomes unreadable, the owner of this machine **MUST** replace it in the original location before resuming operations. For replacements, contact (800) 523-4777 or www.grizzly.com.



Electrical Components

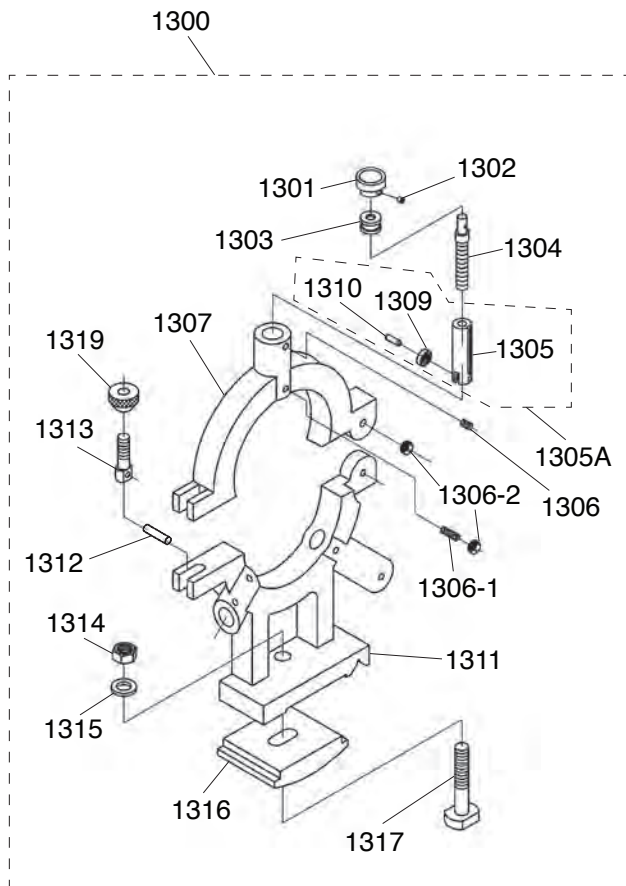


| REF | PART # | DESCRIPTION |
|--------|--------------|------------------------------------|
| 1201 | P4003G1201 | TRANSFORMER MTE JBK5-100VATH |
| 1202 | P4003G1202 | FUSE HOLDER 2A |
| 1202-1 | P4003G1202-1 | FUSE 2A 500V 8.5 X 31.5MM |
| 1203A | P4003G1203A | FUSE 5A 500V 8.5 X 31.5MM |
| 1203V2 | P4003G1203V2 | FUSE HOLDER 5A V2.10.06 |
| 1204-1 | P4003G1204-1 | OL RELAY TIANSHUI JR58-09/25D 110V |
| 1205 | P4003G1205 | CONTACTOR TIANSHUI GSC1-1801 |
| 1206 | P4003G1206 | CONTACTOR TIANSHUI JZC3 40D |
| 1207 | P4003G1207 | GROUND TERMINAL BLOCK |
| 1208 | P4003G1208 | TERMINAL BLOCK 12-POLE |

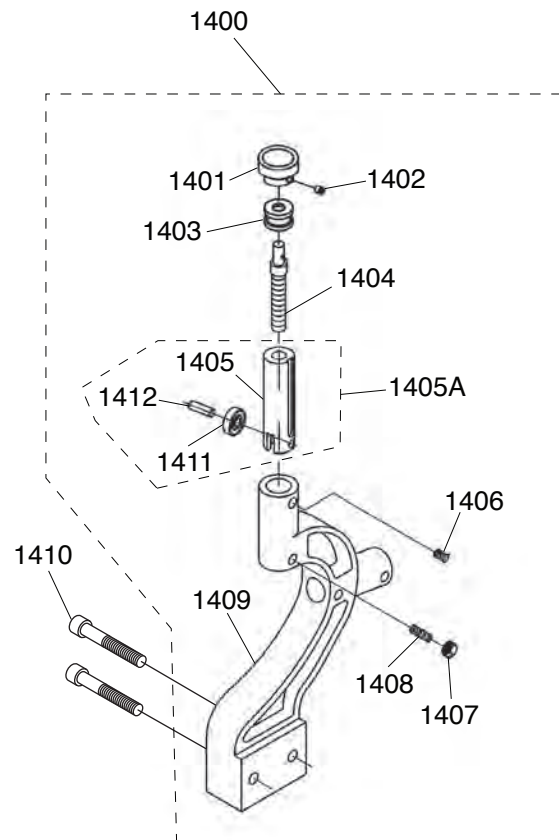
| REF | PART # | DESCRIPTION |
|----------|----------------|-------------------------------------|
| 1209 | P4003G1209 | TERMINAL BLOCK 20-POLE |
| 1210 | P4003G1210 | E-STOP RESET BUTTON SS LA103 |
| 1211 | P4003G1211 | POWER START BUTTON SS LA103 |
| 1212 | P4003G1212 | JOG BUTTON SS LA103 |
| 1213 | P4003G1213 | POWER LAMP SS XD103 |
| 1214 | P4003G1214 | WORK LIGHT TERMINAL BLOCK |
| 1215V2 | P4003G1215V2 | LED WORK LAMP ASSY |
| 1215-1 | P4003G1215-1 | CORD FOR WORK LIGHT |
| 1215-3V3 | P4003G1215-3V3 | LED BULB 24V MR16 (1W X 3) V3.05.15 |



Steady Rest



Follow Rest



| REF | PART # | DESCRIPTION |
|--------|--------------|------------------------------|
| 1300 | P4003G1300 | STEADY REST ASSEMBLY |
| 1301 | P4003G1301 | KNURLED FINGER KNOB |
| 1302 | P4003G1302 | SET SCREW M6-1 X 6 CONE-PT |
| 1303 | P4003G1303 | BUSHING |
| 1304 | P4003G1304 | FINGER ADJUSTMENT SCREW |
| 1305 | P4003G1305 | FINGER SLEEVE 3" |
| 1305A | P4003G1305A | FINGER 3" W/BEARING ASSEMBLY |
| 1306 | P4003G1306 | SET SCREW M6-1 X 8 |
| 1306-1 | P4003G1306-1 | SET SCREW M6-1 X 16 DOG-PT |
| 1306-2 | P4003G1306-2 | HEX NUT M6-1 |
| 1307 | P4003G1307 | UPPER STEADY REST CASTING |
| 1309 | P4003G1309 | BALL BEARING 625ZZ |
| 1310 | P4003G1310 | DOWEL PIN 5 X 16 |
| 1311 | P4003G1311 | LOWER STEADY REST CASTING |
| 1312 | P4003G1312 | LOCK PIN |
| 1313 | P4003G1313 | LOCK BOLT M10-1.5 X 18 |
| 1314 | P4003G1314 | HEX NUT M12-1.75 |
| 1315 | P4003G1315 | FLAT WASHER 12MM |
| 1316 | P4003G1316 | CLAMP PLATE |
| 1317 | P4003G1317 | T-BOLT M12-1.75 X 75 |
| 1319 | P4003G1319 | KNURLED THUMB KNOB M10-1.5 |

| REF | PART # | DESCRIPTION |
|-------|-------------|------------------------------|
| 1400 | P4003G1400 | FOLLOW REST ASSEMBLY |
| 1401 | P4003G1401 | KNURLED FINGER KNOB |
| 1402 | P4003G1402 | SET SCREW M6-1 X 6 CONE-PT |
| 1403 | P4003G1403 | BUSHING |
| 1404 | P4003G1404 | FINGER ADJUSTMENT SCREW |
| 1405 | P4003G1405 | FINGER SLEEVE 3" |
| 1405A | P4003G1405A | FINGER 3" W/BEARING ASSEMBLY |
| 1406 | P4003G1406 | SET SCREW M6-1 X 8 |
| 1407 | P4003G1407 | HEX NUT M6-1 |
| 1408 | P4003G1408 | SET SCREW M6-1 X 16 DOG-PT |
| 1409 | P4003G1409 | FOLLOW REST CASTING |
| 1410 | P4003G1410 | CAP SCREW M8-1.25 x 35 |
| 1411 | P4003G1411 | BALL BEARING 625ZZ |
| 1412 | P4003G1412 | DOWEL PIN 5 X 16 |

