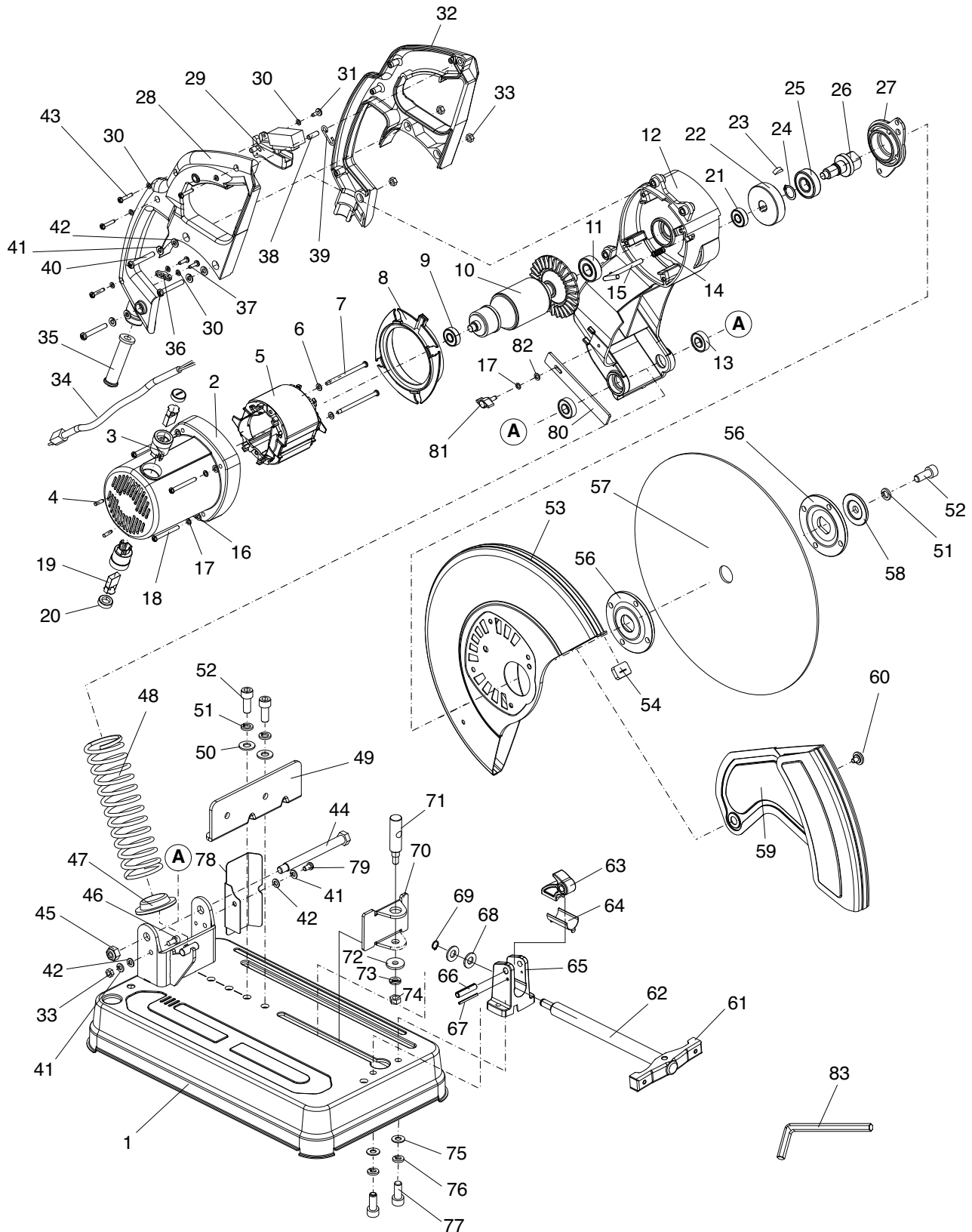


SECTION 9: PARTS

Parts Breakdown



Parts List

REF	PART #	DESCRIPTION
1	P0693001	BASE
2	P0693002	MOTOR HOUSING
3	P0693003	BRUSH HOLDER
4	PS09M	PHLP HD SCR M5-.8 X 10
5	P0693005	STATOR
6	PTLW02M	EXT TOOTH WASHER 5MM
7	PHTEK41M	TAP SCREW M5 X 70
8	P0693008	FAN GUIDE
9	P6000LLB	BALL BEARING 6000LLB
10	P0693010	ROTOR
11	P6202LLB	BALL BEARING 6202LLB
12	P0693012	GEAR HOUSING
13	P6001LLB	BALL BEARING 6001LLB
14	P0693014	COMPRESSION SPRING
15	P0693015	LOCK PIN
16	PW02M	FLAT WASHER 5MM
17	PLW01M	LOCK WASHER 5MM
18	PS100M	PHLP HD SCR M5-.8 X 40
19	P0693019	BRUSH SET
20	P0693020	BRUSH CAP
21	P6000LLB	BALL BEARING 6000LLB
22	P0693022	HELICAL GEAR
23	P0693023	WOODRUFF KEY 5 X 13
24	PR07M	EXT RETAINING RING 18MM
25	P6203LLB	BALL BEARING 6203LLB
26	P0693026	SPINDLE
27	P0693027	BEARING CASE
28	P0693028	LEFT HANDLE
29	P0693029	SWITCH
30	PW05M	FLAT WASHER 4MM
31	PHTEK39M	TAP SCREW M4 X 12
32	P0693032	RIGHT HANDLE
33	PN01M	HEX NUT M6-1
34	P0693034	POWER CORD 110V 8'
35	P0693035	CORD GUARD
36	P0693036	STRAIN RELIEF
37	PHTEK31M	TAP SCREW M4 X 14
38	P0693038	ANCHOR PIN
39	P0693039	HANGER
40	PS81M	PHLP HD SCR M6-1 X 40
41	PLW03M	LOCK WASHER 6MM

REF	PART #	DESCRIPTION
42	PW03M	FLAT WASHER 6MM
43	PHTEK28M	TAP SCREW M4 X 25
44	P0693044	SHOULDER PIVOT BOLT
45	PLN09M	LOCK NUT M12-1.75
46	PB18M	HEX BOLT M6-1 X 15
47	P0693047	RUBBER SEAT
48	P0693048	COMPRESSION SPRING
49	P0693049	FENCE GUIDE
50	PW04M	FLAT WASHER 10MM
51	PLW06M	LOCK WASHER 10MM
52	PSB64M	CAP SCREW M10-1.5 X 25
53	P0693053	WHEEL COVER
54	P0693054	BRUSH COVER
56	P0693056	FLANGE
57	T20917	ABRASIVE WHEEL 355 X 3 X 25.4MM
58	P0693058	CLAMP WASHER
59	P0693059	SWITCH COVER
60	P0693060	SHOULDER SCREW M5-.8 X 12
61	P0693061	WISE HANDLE
62	P0693062	LEAD SCREW
63	P0693063	LOCK
64	P0693064	SADDLE
65	P0693065	ANCHOR BASE
66	PRP104M	ROLL PIN 8 X 35
67	PRP69M	ROLL PIN 3 X 35
68	P0693068	WEAR COLLAR
69	PR01M	EXT RETAINING RING 10MM
70	P0693070	JAW
71	P0693071	PIVOT PIN
72	PW04M	FLAT WASHER 10MM
73	PLW06M	LOCK WASHER 10MM
74	PN02M	HEX NUT M10-1.5
75	PW01M	FLAT WASHER 8MM
76	PLW04M	LOCK WASHER 8MM
77	PSB76M	CAP SCREW M8-1.25 X 18
78	P0693078	SPARK CHUTE
79	PS68M	PHLP HD SCR M6-1 X 10
80	P0693080	STOP ARM
81	P0693081	THUMB SCREW M5-.8 X 12
82	PW02M	FLAT WASHER 5MM
83	PAW08M	HEX WRENCH 8MM



Warning Labels

101

Grizzly Industrial		MODEL G0693 14" METAL CUTTING ABRASIVE SAW
Specifications		⚠ WARNING!
Motor: 4 HP, 110V, Single-Phase Blade Speed: 3000 RPM Blade Arbor Size: 1 1/2" / 1" Angle Cuts: 45° To 90° Maximum Cutting Capacities: @90°: Round: 4-1/2" Square: 4-1/2" Rectangular: 2-3/4" X 8-1/2" @45°: Round: 4-1/2" Square: 4-1/2" Rectangular: 3-1/8" X 3-1/4" Weight: 37 Lbs.		To reduce the risk of serious personal injury while using this machine: 1. Read and understand manual before starting. 2. Always wear eye protection. 3. Plug power cord into grounded outlet only. 4. Never position fingers in line with cut. 5. Completely support workpiece when cutting. 6. Do not wear loose clothing, gloves or jewelry, and secure long hair to avoid entanglement. 7. Keep all guards in place at all times. 8. Disconnect power before setup or adjustment. 9. Do not operate near flammables. 10. Do not operate under the influence of drugs or alcohol.
_____ Date _____ Serial Number	Manufactured for Grizzly in Taiwan	

100




⚠ WARNING!
 READ and UNDERSTAND instruction manual to avoid serious injury. If a manual is not available, DO NOT use machine. Go to www.grizzly.com or call (800) 523-4777.

102

⚠ DANGER
AMPUTATION HAZARD!
 Keep hands away from moving blade!

⚡
 Next to Power Cord
 104

103

 <p>⚠ WARNING! DISCONNECT POWER BEFORE ADJUSTMENTS, MAINTENANCE, OR SERVICE.</p>	 <p>⚠ WARNING EYE/EARING INJURY HAZARD! Always wear safety glasses and a respirator when using this machine</p>	 <p>⚠ CAUTION HEARING LOSS HAZARD! Always wear ear protection when using this machine!</p>
---	--	---

REF	PART #	DESCRIPTION
100	P0693100	READ MANUAL LABEL
101	P0693101	MACHINE ID LABEL
102	P0693102	AMPUTATION LABEL

REF	PART #	DESCRIPTION
103	P0693103	COMBO WARNING LABEL
104	PLABEL-14B	ELECTRICITY LABEL

⚠ WARNING

Safety labels warn about machine hazards and ways to prevent injury. The owner of this machine **MUST** maintain the original location and readability of the labels on the machine. If any label is removed or becomes unreadable, **REPLACE** that label before using the machine again. Contact Grizzly at (800) 523-4777 or www.grizzly.com to order new labels.

