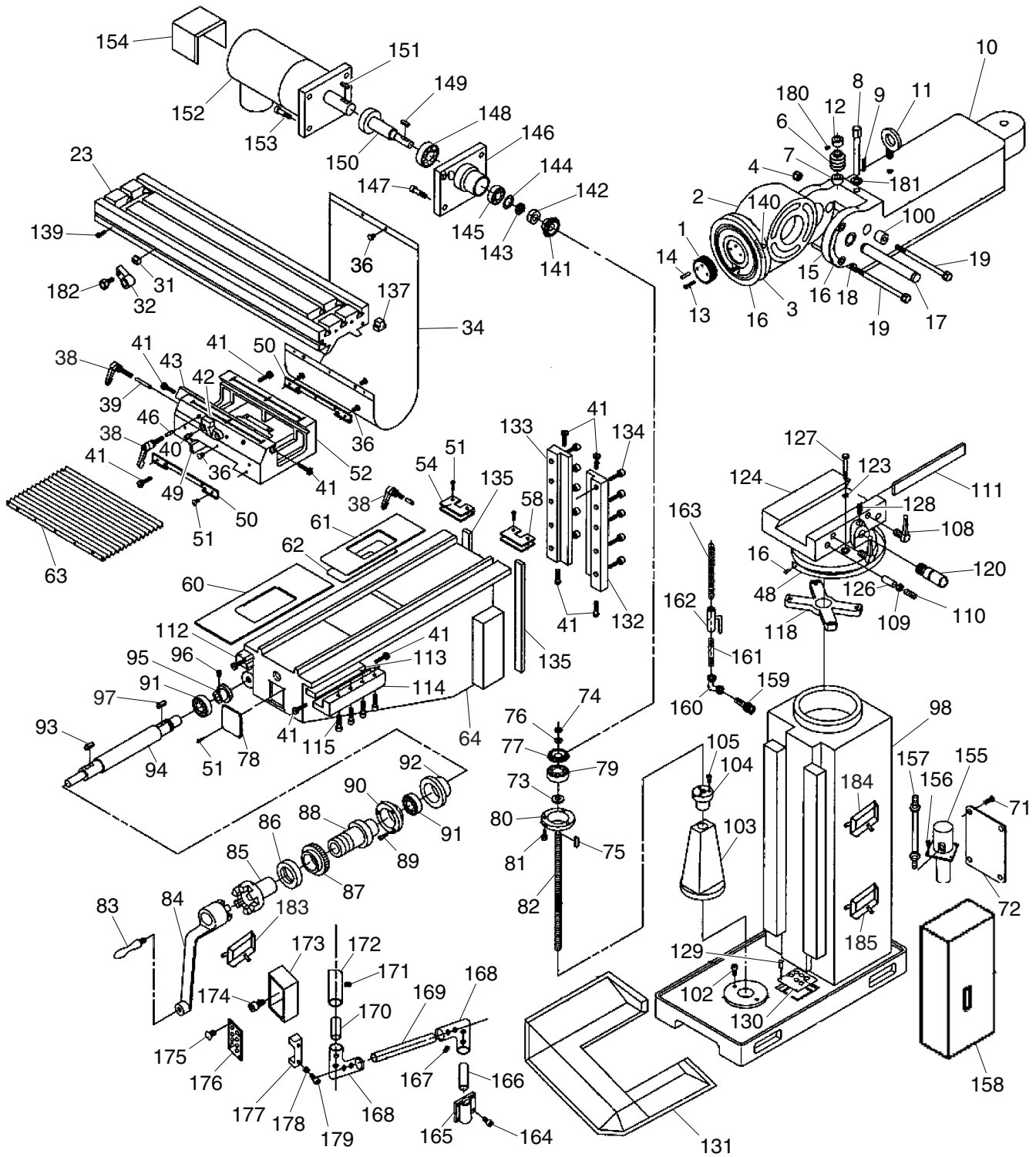


# SECTION 9: PARTS

## Base Machine Breakdown



# Base Machine Parts List

REF	PART #	DESCRIPTION
1	P0669X001	WORM WASHER
2	P0669X002	RAM ADAPTER
3	P0669X003	ADAPTER SCALE
4	P0669X004	LOCK BOLT HEX NUT
6	P0669X006	WORM
7	P0669X007	COLLAR
8	P0669X008	WORM SHAFT
9	PK36M	KEY 5 X 5 X 50
10	P0669X010	RAM
11	P0669X011	LIFTING EYE BOLT 3/4-10
12	P0669X012	SPACER
13	PSB13M	CAP SCREW M8-1.25 X 30
14	PRP107M	ROLL PIN 8 X 40
15	P0669X015	ANGLE PLATE
16	P0669X016	RIVET
17	P0669X017	ADAPTER PIVOT STUD
18	P0669X018	SPECIAL WASHER
19	P0669X019	LOCK BOLT
23	P0669X023	TABLE
31	P0669X031	T-NUT 3/8-16
32	P0669X032	LIMIT STOP
34	P0669X034	REAR WAY COVER
36	PS06	PHLP HD SCR 10-24 X 3/8
38	P0669X038	LOCK HANDLE
39	P0669X039	SADDLE LOCK PLUNGER
40	PSB105	CAP SCREW 3/8-16 X 5/8
41	P0669X041	GIB ADJUSTMENT SCREW
42	P0669X042	TABLE LIMIT SWITCH
43	P0669X043	TABLE GIB
46	P0669X046	TABLE LOCK PLUNGER
48	P0669X048	TURRET SCALE
49	P0669X049	SADDLE GIB
50	P0669X050	KNEE WAY WIPER
51	PS09M	PHLP HD SCR M5-.8 X 10
52	P0669X052	SADDLE
54	P0669X054	LEFT COLUMN WAY WIPER
58	P0669X058	RIGHT COLUMN WAY WIPER
60	P0669X060	CHIP GUARD LARGE
61	P0669X061	CHIP GUARD MEDIUM
62	P0669X062	CHIP GUARD SMALL
63	P0669X063	FRONT WAY COVER
64	P0669X064	KNEE
71	PS09M	PHLP HD SCR M5-.8 X 10
72	P0669X072	COOLANT PUMP COVER
73	PW01	FLAT WASHER 1/2
74	PN01	HEX NUT 1/2-20
75	PK23M	KEY 5 X 5 X 25
76	PW01	FLAT WASHER 1/2
77	P0669X077	BEVEL GEAR 36T
78	P0669X078	COVER

REF	PART #	DESCRIPTION
79	P0669X079	ANG. CONTACT BEARING 5305ZZ
80	P0669X080	BEARING CAP
81	PSB02M	CAP SCREW M6-1 X 20
82	P0669X082	ELEVATION LEADSCREW
83	P0669X083	HANDLE
84	P0669X084	ELEVATION CRANK
85	P0669X085	CRANK CLUTCH
86	P0669X086	DIAL LOCK COLLAR
87	P0669X087	GRADUATED DIAL
88	P0669X088	DIAL HOLDER
89	PSB02M	CAP SCREW M6-1 X 20
90	P0669X090	BEARING CAP
91	P6204	BALL BEARING 6204ZZ
92	P0669X092	BEARING CAP
93	PK155M	KEY 3 X 3 X 18
94	P0669X094	SHAFT
95	P0669X095	GRUB SET SCREW
96	P0669X096	BEVEL GEAR 18T
97	PK102M	KEY 4 X 4 X 18
98	P0669X098	COLUMN
100	P0669X100	BUSHING
102	PSB84M	CAP SCREW M10-1.5 X 35
103	P0669X103	ELEVATION LEADSCREW HOUSING
104	P0669X104	ELEVATION LEADSCREW NUT
105	PSB02M	CAP SCREW M6-1 X 20
108	P0669X108	LOCK HANDLE
109	PN08	HEX NUT 3/8-16
110	PSS71M	SET SCREW M10-1.5 X 60
111	P0669X111	RAM GIB
112	P0669X112	LEFT SADDLE SLIDE HOLDER
113	P0669X113	SADDLE SLIDE
114	P0669X114	RIGHT SADDLE SLIDE HOLDER
115	PSB84M	CAP SCREW M10-1.5 X 35
118	P0669X118	TURRET SPIDER
120	P0669X120	RAM PINION
123	P0669X123	SPECIAL LOCK WASHER
124	P0669X124	TURRET
126	P0669X126	RAM LOCK PLUNGER
127	P0669X127	LOCK BOLT
128	P0669X128	RAM PINION SET SCREW
129	P0669X129	RIVET
130	P0669X130	COOLANT SCREEN
131	P0669X131	CHIP TRAY
132	P0669X132	RIGHT COLUMN SLIDE
133	P0669X133	LEFT COLUMN SLIDE
134	PSB111M	CAP SCREW M12-1.75 X 35
135	P0669X135	KNEE GIB
137	P0669X137	TABLE SLOT PLUG
139	PSB50M	CAP SCREW M5-.8 X 10
140	P0669X140	INDICATOR PLATE



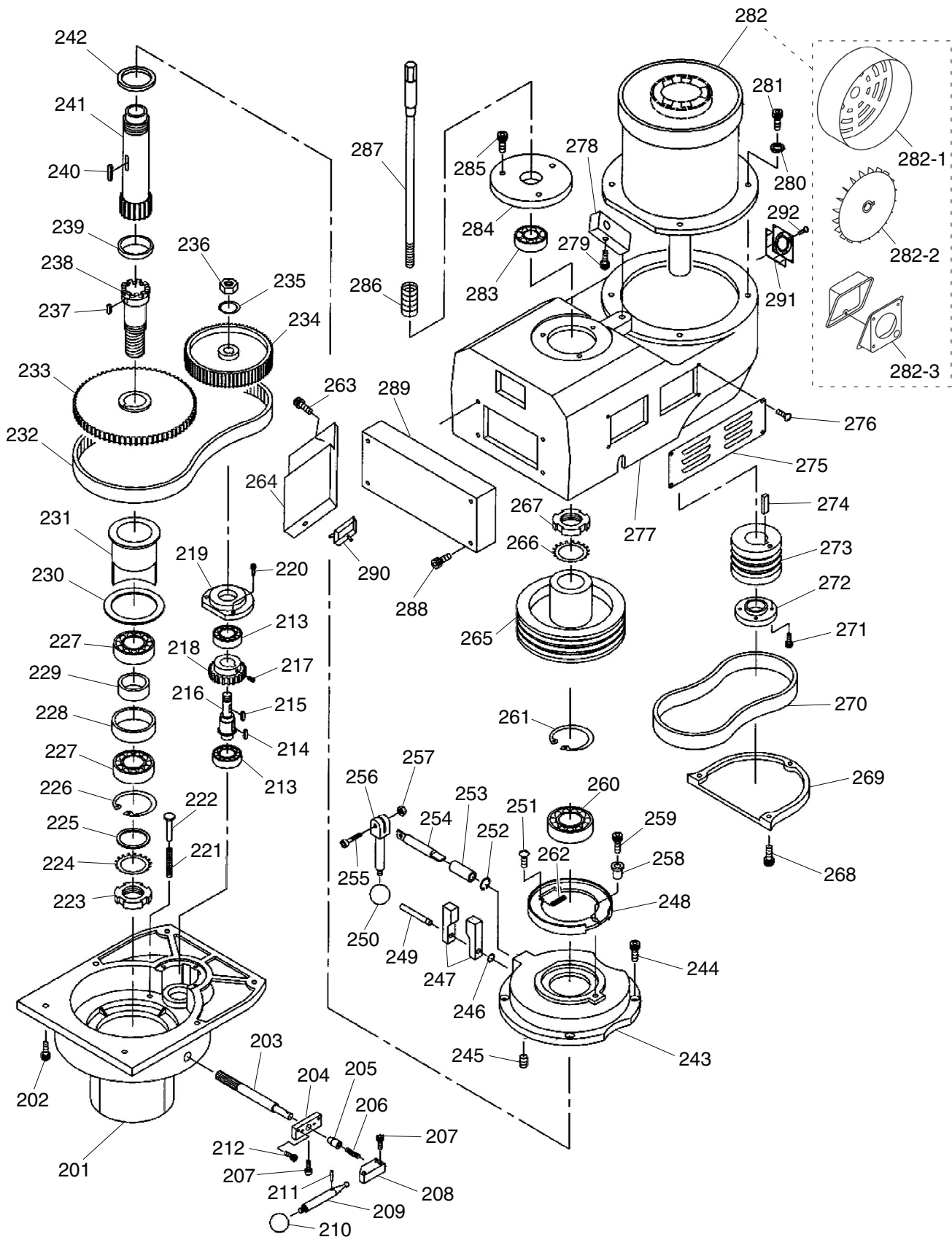
# Base Machine Parts List

REF	PART #	DESCRIPTION
141	P0669X141	BEVEL GEAR 18T
142	P0669X142	SPACER
143	P0669X143	SPANNER NUT
144	P0669X144	SPANNER LOCK WASHER
145	P6204	BALL BEARING 6204ZZ
146	P0669X146	BEARING BRACKET
147	PSB14M	CAP SCREW M8-1.25 X 20
148	P6206	BALL BEARING 6206ZZ
149	PK48M	KEY 4 X 4 X 20
150	P0669X150	DRIVE SHAFT
151	PK34M	KEY 5 X 5 X 20
152	P0669X152	ELEV. MOTOR 1/2HP 220V 1-PH
153	PSB14M	CAP SCREW M8-1.25 X 20
154	P0669X154	MOTOR COVER
155	P0669X155	COOLANT PUMP 1/8HP 220V 1-PH
156	PSB28M	CAP SCREW M6-1 X 15
157	P0669X157	HOSE 3/8 ID
158	P0669X158	ELECTRICAL CABINET
159	P0669X159	PIPE NIPPLE 3/8
160	P0669X160	ELBOW JOINT 3/8
161	P0669X161	PIPE 3/8
162	P0669X162	VALVE 3/8
163	P0669X163	COOLANT NOZZLE

REF	PART #	DESCRIPTION
164	PSB31M	CAP SCREW M8-1.25 X 25
165	P0669X165	BRACKET
166	P0669X166	PIPE
167	PSS01M	SET SCREW M6-1 X 10
168	P0669X168	ELBOW CONNECTOR
169	P0669X169	PIPE
170	P0669X167	PIPE
171	PSS01M	SET SCREW M6-1 X 10
172	P0669X172	BRACKET
173	P0669X173	CONTROL PANEL BOX
174	PSB52M	CAP SCREW M8-1.25 X 10
175	PS17M	PHLP HD SCR M4-.7 X 6
176	P0669X176	CONTROL PANEL
177	P0669X177	CONTROL PANEL HANDLE
178	PN03M	HEX NUT M8-1.25
179	PSB100M	CAP SCREW M8-1.25 X 15
180	PSS02M	SET SCREW M6-1 X 6
181	P0669X181	SPECIAL WASHER
182	PB18	HEX BOLT 3/8-16 X 1
183	P0669X183	ELEV. CRANK SAFETY SWITCH
184	P0669X184	KNEE UPPER LIMIT SWITCH
185	P0669X185	KNEE LOWER LIMIT SWITCH



# Drive System Breakdown



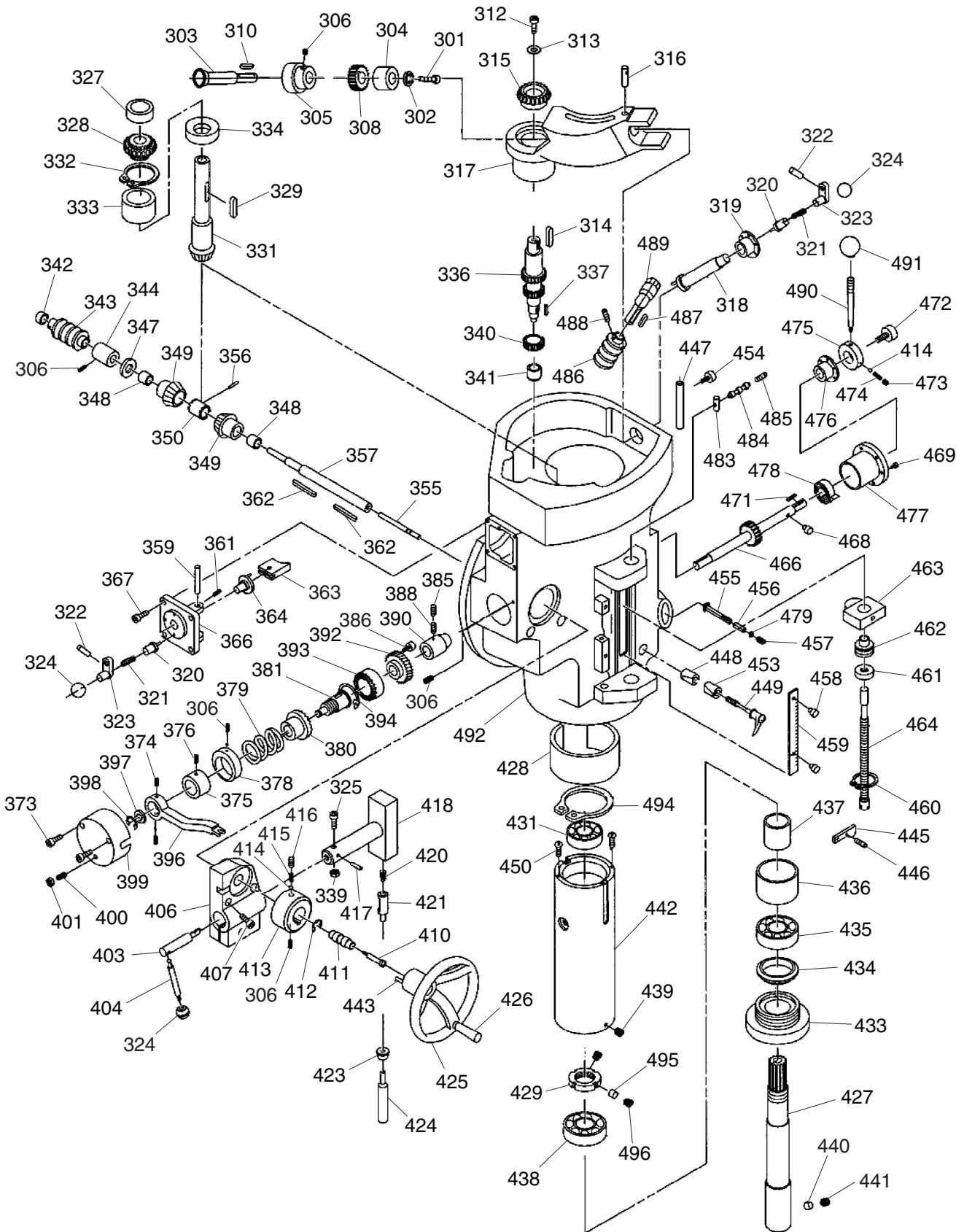
# Drive System Parts List

REF	PART #	DESCRIPTION
201	P0669X201	LOWER PULLEY HOUSING
202	PSB02M	CAP SCREW M6-1 X 20
203	P0669X203	GEAR SHAFT PINION
204	P0669X204	DETENT PLATE
205	P0669X205	DETENT PLUNGER
206	P0669X206	COMPRESSION SPRING
207	PSB20M	CAP SCREW M5-.8 X 14
208	P0669X208	PINION BLOCK
209	P0669X209	PINION CRANK
210	P0669X210	KNOB
211	PRP42M	ROLL PIN 3 X 20
212	PSB24M	CAP SCREW M5-.8 X 16
213	P6203	BALL BEARING 6203ZZ
214	PK14M	KEY 5 X 5 X 18
215	PK20M	KEY 5 X 5 X 15
216	P0669X216	GEAR SHAFT
217	PSS02M	SET SCREW M6-1 X 6
218	P0669X218	BULL GEAR 26T
219	P0669X219	BEARING CAP
220	PSB15M	CAP SCREW M5-.8 X 20
221	P0669X221	COMPRESSION SPRING
222	P0669X222	SPRING SHAFT
223	P0669X223	SPANNER NUT
224	P0669X224	SPANNER LOCK WASHER
225	P0669X225	SPACER
226	PR38M	INT RETAINING RING 62MM
227	P6908	BALL BEARING 6908ZZ
228	P0669X228	BEARING SLEEVE
229	P0669X229	BUSHING
230	P0669X230	SPACER
231	P0669X231	RACK CUP
232	P0669X232	TIMING BELT 225L100
233	P0669X233	SPINDLE TIMING PULLEY
234	P0669X234	SPINDLE IDLER TIMER PULLEY
235	PLW06	LOCK WASHER 5/8
236	PN09	HEX NUT 5/8-18
237	P0669X237	KEY 8 X 7 X 12
238	P0669X238	SPINDLE GEAR HUB
239	P0669X239	COLLAR
240	PK55M	KEY 7 X 7 X 40
241	P0669X241	SPINDLE PULLEY SHAFT
242	P0669X242	COLLAR
243	P0669X243	LOWER PULLEY HOUSING COVER
244	PSB02M	CAP SCREW M6-1 X 20
245	PSS02M	SET SCREW M6-1 X 6
246	PR88M	INT RETAINING RING 8MM
247	P0669X247	BRAKE STUD
248	P0669X248	BRAKE SHOE

REF	PART #	DESCRIPTION
249	P0669X249	BRAKE FINGER PIVOT STUD
250	P0669X250	KNOB
251	P0669X251	PHLP HD SCR #5-40 X 3/8
252	PR49M	INT RETAINING RING 12MM
253	P0669X253	BRAKE SHAFT SLEEVE
254	P0669X254	BRAKE SHAFT
255	PSB06M	CAP SCREW M6-1 X 25
256	P0669X256	BRAKE PIVOT ROD
257	PN01M	HEX NUT M6-1
258	P0669X258	SCREW SLEEVE
259	PSB24M	CAP SCREW M5-.8 X 16
260	P6010	BALL BEARING 6010ZZ
261	PR50M	INT RETAINING RING 80MM
262	P0669X262	BRAKE EXTENSION SPRING
263	PSB33M	CAP SCREW M5-.8 X 12
264	P0669X264	BRAKE SWITCH COVER
265	P0669X265	SPINDLE PULLEY
266	P0669X266	SPANNER LOCK WASHER
267	P0669X267	SPANNER NUT
268	PSB15M	CAP SCREW M5-.8 X 20
269	P0669X269	MOTOR PULLEY LOWER COVER
270	P0669X270	BELT 11M-900
271	PSB24M	CAP SCREW M5-.8 X 16
272	P0669X272	LOCK COLLAR
273	P0669X273	MOTOR PULLEY
274	PK84M	KEY 10 X 8 X 30
275	P0669X275	V-BELT COVER
276	PS08M	PHLP HD SCR M5-.8 X 12
277	P0669X277	DRIVE SYSTEM HOUSING
278	P0669X278	MOTOR ADJUSTMENT BLOCK
279	PSB31M	CAP SCREW M8-1.25 X 25
280	PLW06M	LOCK WASHER 10MM
281	PSB72M	CAP SCREW M10-1.5 X 30
282	P0669X282	SPINDLE MOTOR 5HP 220V 3-PH
282-1	P0669X282-1	MOTOR FAN COVER
282-2	P0669X282-2	MOTOR FAN
282-3	P0669X282-3	MOTOR WIRING JUNCTION BOX
283	P6007	BALL BEARING 6007ZZ
284	P0669X284	MOTOR MOUNT
285	PSB24M	CAP SCREW M5-.8 X 16
286	P0669X286	DRAWBAR SPACER
287	P0669X287	DRAWBAR 7/16-20 X 23-1/2
288	PSB04M	CAP SCREW M6-1 X 10
289	P0669X289	FRONT COVER
290	P0669X290	BRAKE SAFETY SWITCH
291	P0669X291	COOLING FAN
292	PS22M	PHLP HD SCR M5-.8 X 25



# Head Breakdown



# Head Parts List

REF	PART #	DESCRIPTION
301	PSB26M	CAP SCREW M6-1 X 12
302	PW03M	FLAT WASHER 6MM
303	P0669X303	FEED BEVEL PINION
304	P0669X304	GEAR SHAFT SLEEVE
305	P0669X305	LOCK COLLAR
306	PSS02M	SET SCREW M6-1 X 6
308	P0669X308	FEED GEAR 20T
310	PK103M	KEY 3 X 3 X 12
312	PSB11M	CAP SCREW M8-1.25 X 16
313	PW01M	FLAT WASHER 8MM
314	PK03M	KEY 3 X 3 X 8
315	P0669X315	BEVEL GEAR 24T
316	P0669X316	FEED ENGAGE PIN
317	P0669X317	WORM GEAR CRADLE
318	P0669X318	WORM GEAR CRADLE SHAFT
319	P0669X319	SHAFT SLEEVE
320	P0669X320	GEAR SHAFT PLUNGER
321	P0669X321	COMPRESSION SPRING
322	PRP42M	ROLL PIN 3 X 20
323	P0669X323	SHIFT CRANK
324	P0669X324	KNOB
325	PSB33M	CAP SCREW M5-.8 X 12
327	P0669X327	BUSHING
328	P0669X328	BEVEL GEAR 28T
329	PK53M	KEY 3 X 3 X 45
331	P0669X331	GEAR SHAFT 12T
332	PR06M	EXT RETAINING RING 16MM
333	P0669X333	BEVEL GEAR BUSHING
334	P0669X334	SPACER
336	P0669X336	GEAR SHAFT 18T
337	PK39M	KEY 3 X 3 X 10
339	PN06M	HEX NUT M5-.8
340	P0669X340	FEED DRIVE GEAR 23T
341	P0669X341	NEEDLE BEARING BA-66
342	P0669X342	BUSHING
343	P0669X343	WORM
344	P0669X344	BUSHING
347	P0669X347	SPACER
348	P0669X348	BUSHING
349	P0669X349	BEVEL GEAR 24T
350	P0669X350	FEED REVERSE CLUTCH
355	P0669X355	REVERSE CLUTCH ROD
356	PRP42M	ROLL PIN 3 X 20
357	P0669X357	FEED WORM SHAFT
359	PRP61M	ROLL PIN 3 X 12
361	PSS05M	SET SCREW M5-.8 X 10
362	PK52M	KEY 3 X 3 X 15
363	P0669X363	FEED GEAR SHIFT FORK
364	P0669X364	GEAR SHIFT CRANK
366	P0669X366	CLUSTER GEAR COVER

REF	PART #	DESCRIPTION
367	PSB33M	CAP SCREW M5-.8 X 12
373	PSB79M	CAP SCREW M5-.8 X 35
374	P0669X374	CLUTCH RING PIN
375	P0669X375	CLUTCH RING
376	PSS03M	SET SCREW M6-1 X 8
378	P0669X378	CLUTCH CONCENTRIC COLLAR
379	P0669X379	CLUTCH SPRING
380	P0669X380	OVERLOAD CLUTCH
381	P0669X381	OVERLOAD CLUTCH SLEEVE
385	PSS02M	SET SCREW M6-1 X 6
386	PS56M	PHLP HD SCR M4-.7 X 16
388	P0669X388	COMPRESSION SPRING
390	P0669X390	BUSHING
392	P0669X392	GEAR 30T
393	P0669X393	CLUTCH
394	PR45M	INT RETAINING RING 10MM
396	P0669X396	CLUTCH TRIP LEVER
397	P0669X397	CLUTCH SPACER
398	PEC03M	E-CLIP 10MM
399	P0669X399	CLUTCH ARM COVER
400	PSS11M	SET SCREW M6-1 X 16
401	PN01M	HEX NUT M6-1
403	P0669X403	CAM ROD
404	P0669X404	HANDLE
406	P0669X406	FEED TRIP BRACKET
407	PSB02M	CAP SCREW M6-1 X 20
410	P0669X410	KNOB STUD
411	P0669X411	REVERSE BALL STUD
412	PEC09M	E-CLIP 6MM
413	P0669X413	LOCK COLLAR
414	P0669X414	STEEL BALL
415	P0669X415	COMPRESSION SPRING
416	PSS17M	SET SCREW M8-1.25 X 6
417	P0669X417	ROLL PIN 3 X 15
418	P0669X418	CAM ROD SLEEVE
420	P0669X420	COMPRESSION SPRING
421	P0669X421	TRIP PLUNGER
423	P0669X423	BUSHING
424	P0669X424	FEED TRIP PLUNGER
425	P0669X425	HANDWHEEL
426	P0669X426	HANDLE
427	P0669X427	SPINDLE
428	P0669X428	QUILL SKIRT
429	P0669X429	LOCK COLLAR
431	P6206	BALL BEARING 6206ZZ
433	P0669X433	QUILL NOSE
434	P0669X434	SPINDLE SEAL
435	P0669X435	ANG. CONTACT BEARING 7207C
436	P0669X436	SPACER



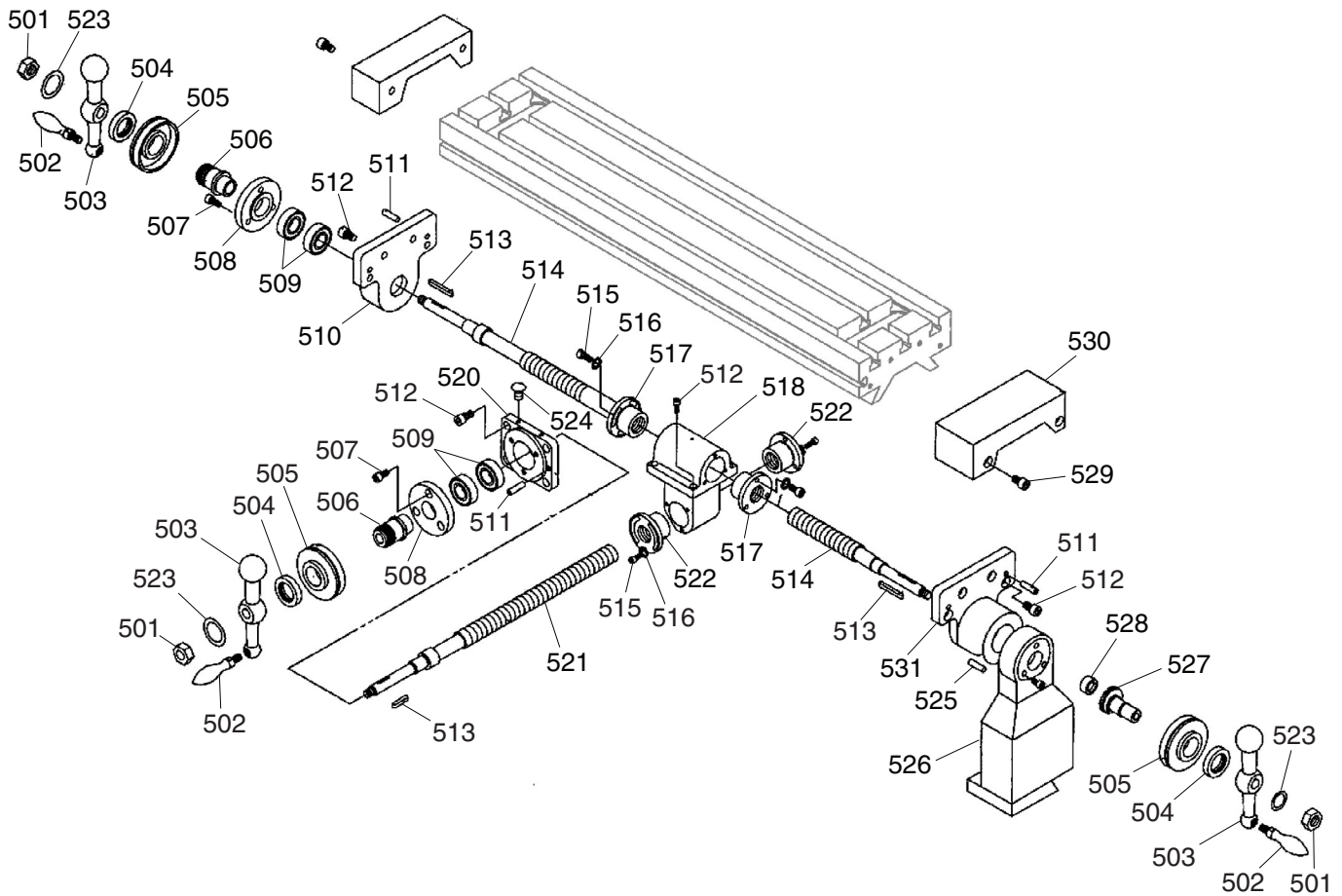
# Head Parts List

REF	PART #	DESCRIPTION
437	P0669X437	BUSHING
438	P0669X435	ANGULAR BEARING 7207C
439	PSS07M	SET SCREW M5-.8 X 5
440	P0669X443	BUSHING
441	PSS02M	SET SCREW M6-1 X 6
442	P0669X442	QUILL
443	PRP02M	ROLL PIN 3 X 16
445	P0669X445	TRIP LEVER
446	P0669X446	TRIP LEVER PIN
447	P0669X447	INDICATOR ROD
448	P0669X448	QUILL INNER LOCK PLUNGER
449	P0669X449	LOCK HANDLE
450	PS05M	PHLP HD SCR M5-.8 X 8
453	P0669X453	QUILL OUTER LOCK PLUNGER
454	P0669X454	INDICATOR ROD SCREW
455	P0669X455	LOCK BOLT
456	P0669X456	LOCK BOLT SLEEVE
457	P0669X457	LOCK BOLT HEX NUT
458	PS38M	PHLP HD SCR M4-.7 X 10
459	P0669X459	DOWNFEED SCALE
460	PR06M	EXT RETAINING RING 16MM
461	P0669X461	DOWNFEED DIAL LOCK RING
462	P0669X462	DOWNFEED DIAL STOP
463	P0669X463	QUILL DOG
464	P0669X464	DOWNFEED STUD

REF	PART #	DESCRIPTION
466	P0669X466	QUILL PINION SHAFT
468	P0669X467	QUILL PINION SHAFT PIN
469	PSB33M	CAP SCREW M5-.8 X 12
471	PK96M	KEY 3 X 3 X 20
472	P0669X472	PINION SHAFT HUB SCREW
473	PSS58M	SET SCREW M6-1 X 18
474	P0669X474	COMPRESSION SPRING
475	P0669X475	HANDLE HUB
476	P0669X476	HUB SLEEVE
477	P0669X477	SPRING COVER
478	P0669X478	COILED SPRING
479	P0669X479	LOCK BOLT SPACER
483	P0669X483	REVERSE TRIP BALL LEVER
484	P0669X484	REVERSE TRIP PLUNGER
485	P0669X485	TRIP BALL LEVER SCREW
486	P0669X486	WORM
487	PK102M	KEY 4 X 4 X 18
488	PSS01M	SET SCREW M6-1 X 10
489	P0669X489	WORM SHAFT
490	P0669X490	HANDLE
491	P0669X491	KNOB
492	P0669X492	HEADSTOCK CASTING
494	PR15M	EXT RETAINING RING 30MM
495	P0669X495	BUSHING
496	PSS02M	SET SCREW M6-1 X 6



# Longitudinal & Cross Slide Leadscrews Breakdown & Parts List

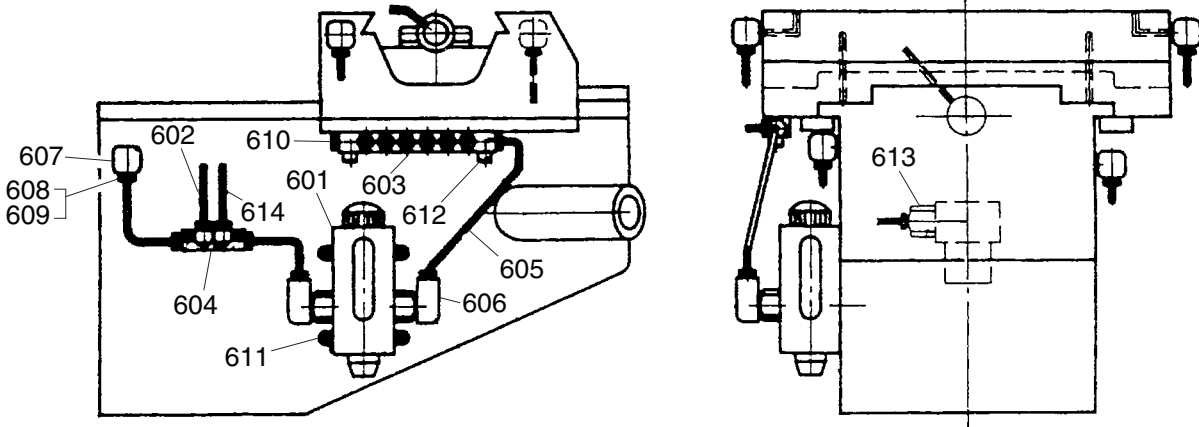


REF	PART #	DESCRIPTION
501	PN01	HEX NUT 1/2-20
502	P0669X502	HANDLE
503	P0669X503	BALL CRANK
504	P0669X504	DIAL LOCK RING
505	P0669X505	GRADUATED DIAL
506	P0669X506	DIAL HOLDER
507	PSB26M	CAP SCREW M6-1 X 12
508	P0669X508	BEARING CAP
509	P6204	BALL BEARING 6204ZZ
510	P0669X510	LEADSCREW BRACKET LEFT
511	PRP49M	ROLL PIN 5 X 25
512	PSB64M	CAP SCREW M10-1.5 X 25
513	PK92M	KEY 3 X 3 X 25
514	P0669X514	LONGITUDINAL LEADSCREW
515	PSB28M	CAP SCREW M6-1 X 15

REF	PART #	DESCRIPTION
516	P0669X516	SPECIAL WASHER
517	P0669X517	LONGITUDINAL LEADSCREW NUT
518	P0669X518	LEADSCREW NUT BRACKET
520	P0669X520	CROSS LEADSCREW BRACKET
521	P0669X521	CROSS FEED LEADSCREW
522	P0669X522	CROSS LEADSCREW NUT
523	P0669X523	SPECIAL WASHER
524	PS09M	PHLP HD SCR M5-.8 X 10
525	PRP24M	ROLL PIN 5 X 16
526	P0669X526	POWER FEED ASSEMBLY
527	P0669X527	BEVEL GEAR SHAFT 72T
528	P0669X528	BUSHING
529	PSB26M	CAP SCREW M6-1 X 12
530	P0669X530	TABLE END COVER
531	P0669X531	LEADSCREW BRACKET RIGHT



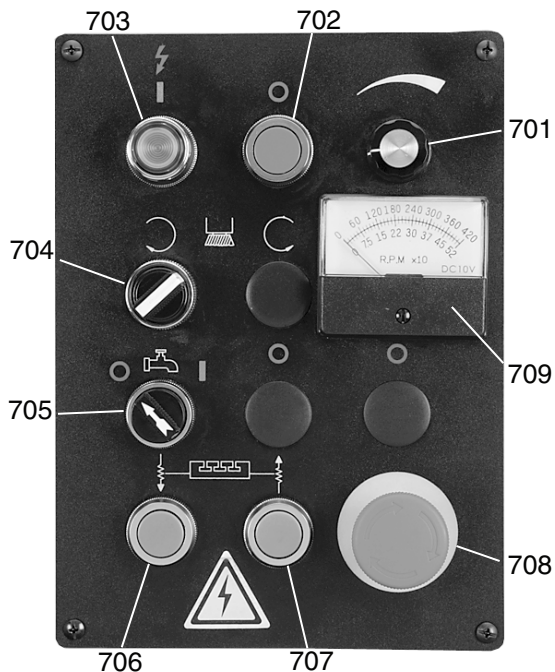
# One-Shot Oiler Breakdown & Parts List



REF	PART #	DESCRIPTION
601	P0669X601	ONE SHOT OILER ASSEMBLY
602	P0669X602	ALUMINUM PIECE 13.5MM
603	P0669X603	OIL REGULATION DISTRIBUTOR
604	P0669X604	OIL REGULATION DISTRIBUTOR
605	P0669X605	FLEXIBLE STEEL TUBE 4 X 550MM
606	P0669X606	ELBOW JOINT
607	P0669X607	ELBOW JOINT

REF	PART #	DESCRIPTION
608	P0669X608	THIMBLE NUT
609	P0669X609	THIMBLE
610	P0669X610	UNION
611	PS15M	PHLP HD SCR M6-1 X 14
612	PSB38M	CAP SCREW M5-.8 X 25
613	P0669X613	STRAIGHT JOINT
614	P0669X614	NYLON PIECE

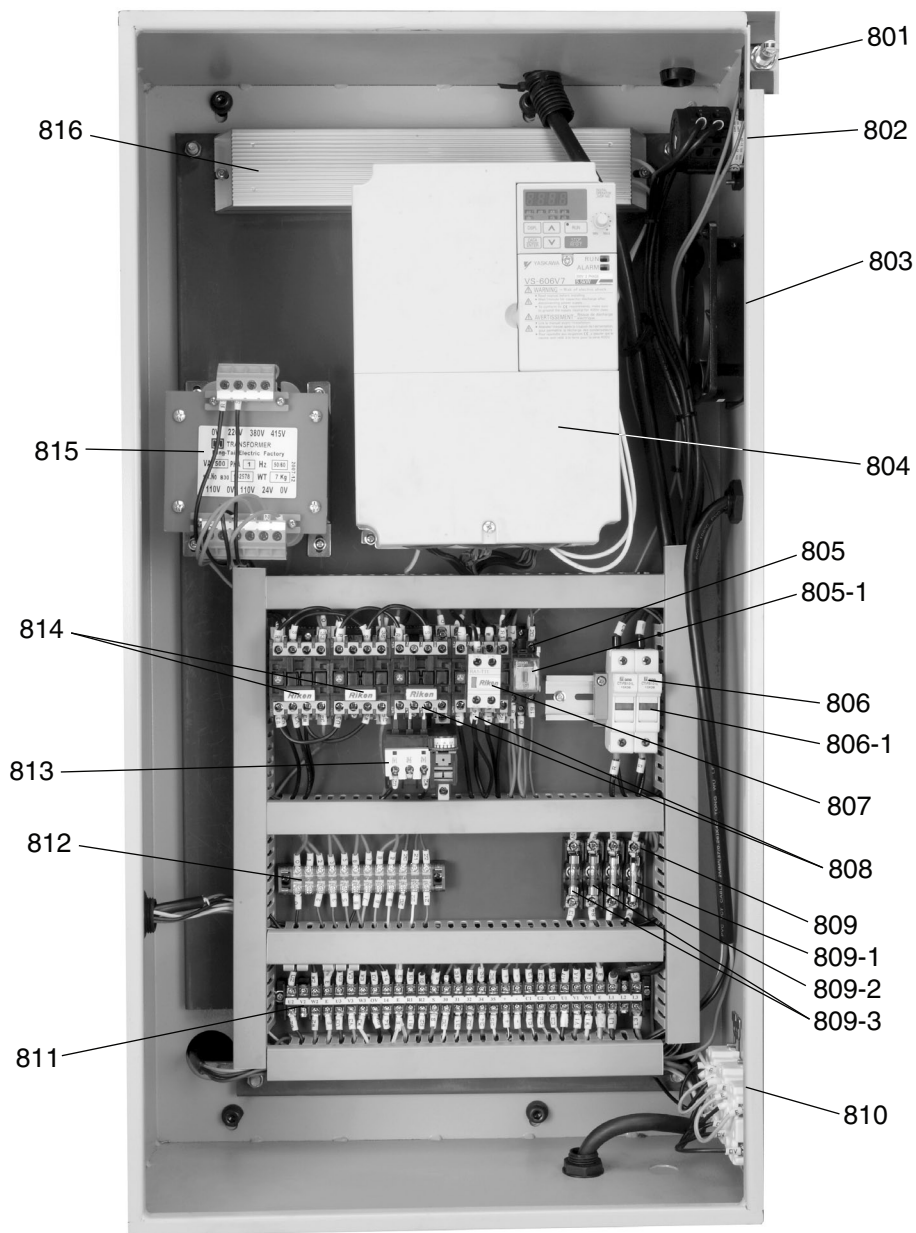
# Control Panel Electrical Components Breakdown & Parts List



REF	PART #	DESCRIPTION
701	P0669X701	SPINDLE SPEED DIAL
702	P0669X702	SPINDLE OFF SWITCH
703	P0669X703	SPINDLE ON SWITCH
704	P0669X704	SPINDLE DIRECTION SWITCH
705	P0669X705	COOLANT PUMP SWITCH
706	P0669X706	ELEVATION DOWN SWITCH
707	P0669X707	ELEVATION UP SWITCH
708	P0669X708	EMERGENCY STOP SWITCH
709	P0669X709	RPM DIAL
710	P0669X710	PANEL PLUG



# Electrical Cabinet Breakdown & Parts List



REF	PART #	DESCRIPTION
801	P0669X801	ELECT CABINET SAFETY SWITCH
802	P0669X802	POWER SWITCH KEDU ZH-HD-2
803	P0669X803	COOLING FAN
804	P0669X804	FREQ DRIVE YASKAWA VS-606V7
805	P0669X805	RELAY OMRON MY2-110NJ
805-1	P0669X805-1	RELAY SOCKET OMRON PYF-08A
806	P0669X806	FUSE HOLDER GIKOKA 3P30A600V
806-1	P0669X806-1	FUSE 32A GIN-SING 30A600V
807	P0669X807	AUXILLARY CONTACTOR RIKEN
808	P0669X808	CONTACTOR RIKEN RAB-09T10110V
809	P0669X809	FUSE HOLDER RENEY 1P10A250V

REF	PART #	DESCRIPTION
809-1	P0669X809-1	FUSE 5A
809-2	P0669X809-2	FUSE 2A
809-3	P0669X809-3	FUSE 3A
810	P0669X810	110V RECEPTACLE
811	P0669X811	TERMINAL BLOCK 30-POS
812	P0669X812	TERMINAL BLOCK 15-POS
813	P0669X813	OL RELAY RIKEN 18T-2H 1.4-2.2
814	P0669X814	CONTACTOR RIKEN RAB-09T01110V
815	P0669X815	TRANSFORMER 500V 1-PH
816	P0669X816	HEAT RESISTOR



# Accessories Breakdown & Parts List

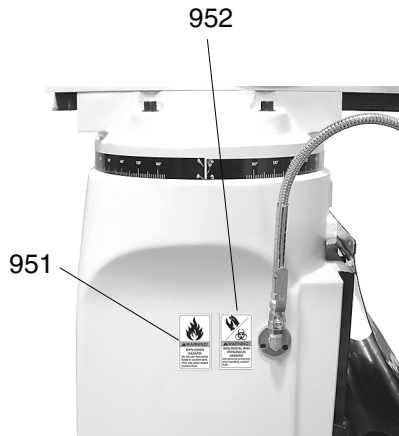


REF	PART #	DESCRIPTION
901	P0669X901	COOLANT HOSE W/CLAMP
902	P0669X902	TOOL BOX
903	PSDP2	SCREWDRIVER PHILLIPS #2
904	PSDF2	SCREWDRIVER FLAT #2
905	P0669X905	HEX WRENCH SET 1.5-10MM

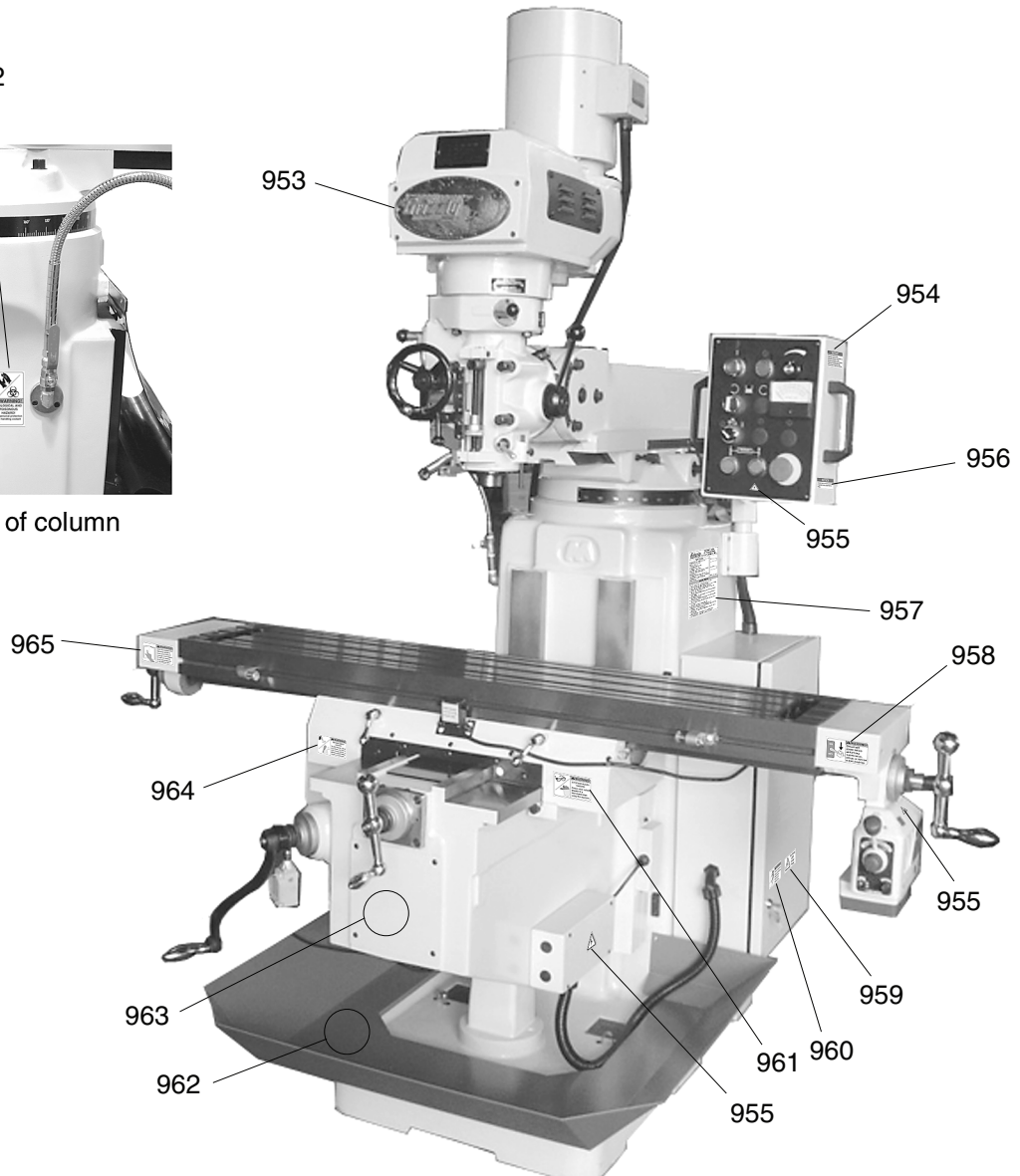
REF	PART #	DESCRIPTION
906	P0669X906	FREQUENCY DRIVE MANUAL
907	P0669X907	POWER FEED MANUAL
908	P0669X908	OIL BOTTLE
909	PWR1214	WRENCH 12/14
910	PWR1719	WRENCH 17/19



# Label Placement



Left side of column



REF	PART #	DESCRIPTION
951	P0669X951	EXPLOSION HAZARD LABEL
952	P0669X952	BIO/POISON HAZARD LABEL
953	G8588	GRIZZLY OVAL NAMEPLATE
954	P0669X954	TRAINED PERSONNEL ONLY LABEL
955	PLABEL-14	ELECTRICITY LABEL
956	P0669X956	COOLANT PUMP NOTICE LABEL
957	P0669X957	MACHINE ID LABEL
958	P0669X958	DISCONNECT POWER LABEL HORZ

REF	PART #	DESCRIPTION
959	P0669X959	PRE-WIRED 220V LABEL
960	P0669X960	SHOCK HAZARD LABEL HORZ
961	P0669X961	EYE/FACE INJURY LABEL HORZ
962	PPAINT-1	GRIZZLY GREEN TOUCH-UP PAINT
963	PPAINT-11	GRIZZLY PUTTY TOUCH-UP PAINT
964	P0669X964	ENTANGLEMENT HAZARD LABEL
965	P0669X965	READ MANUAL LABEL HORZ

## WARNING

Safety labels warn about machine hazards and ways to prevent injury. The owner of this machine **MUST** maintain the original location and readability of the labels on the machine. If any label is removed or becomes unreadable, **REPLACE** that label before using the machine again. Contact Grizzly at (800) 523-4777 or [www.grizzly.com](http://www.grizzly.com) to order new labels.

