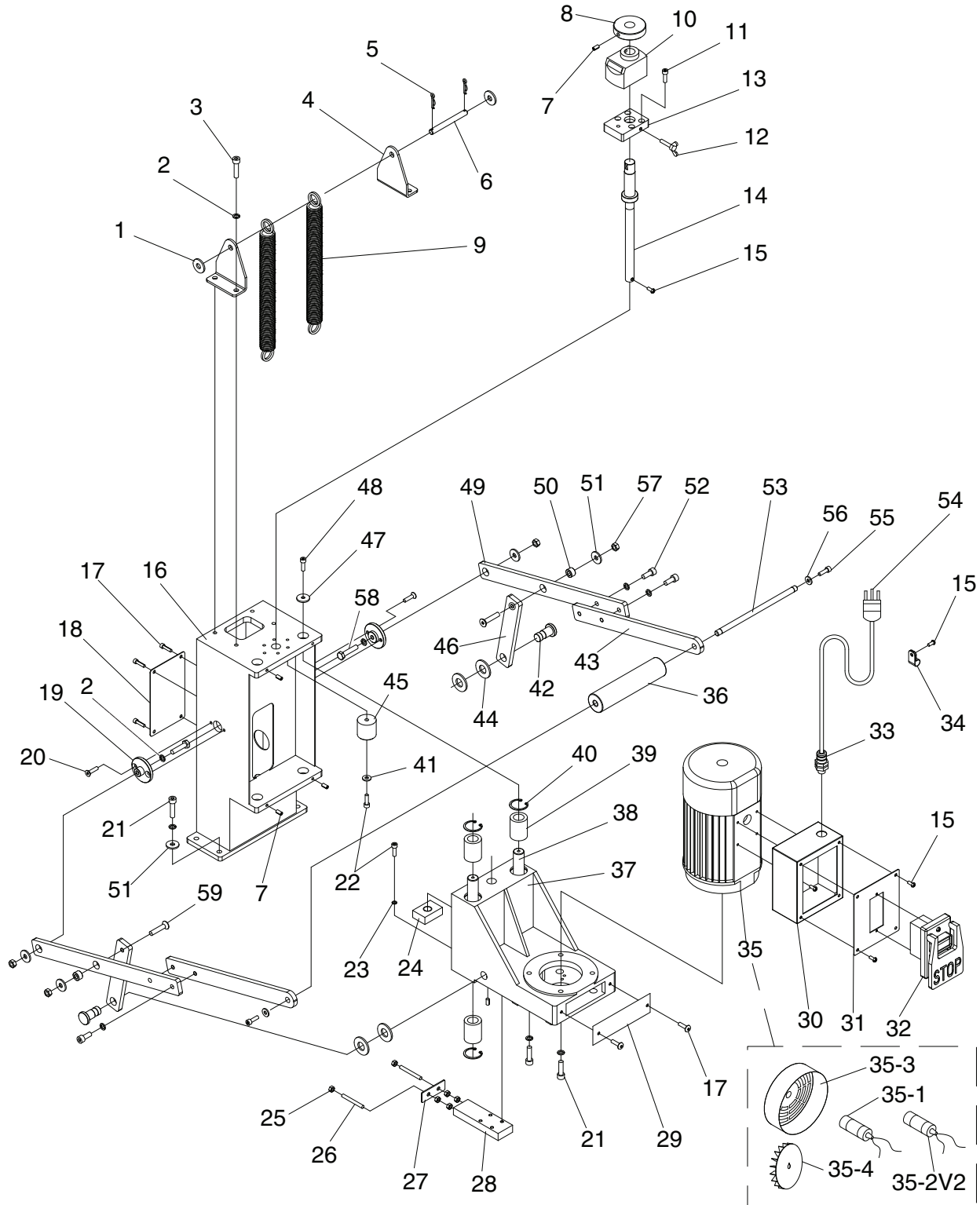


SECTION 8: PARTS

We do our best to stock replacement parts when possible, but we cannot guarantee that all parts shown are available for purchase. Call (800) 523-4777 or visit www.grizzly.com/parts to check for availability.

Column & Electrical



Column & Electrical Parts List

REF	PART #	DESCRIPTION
1	P0642001	FLAT WASHER 10MM
2	P0642002	LOCK WASHER 8MM
3	P0642003	CAP SCREW M8-1.25 X 16
4	P0642004	HEADSTOCK SPRING BRACKET
5	P0642005	HAIRPIN COTTER PIN
6	P0642006	DRILLED HEADLESS CLEVIS PIN
7	P0642007	SET SCREW M6-1 X 10
8	P0642008	KNURLED KNOB
9	P0642009	HEADSTOCK EXTENSION SPRING
10	P0642010	DEPTH CONTROL GAUGE
11	P0642011	CAP SCREW M6-1 X 20
12	P0642012	WING SCREW M6-1 X 25
13	P0642013	DEPTH CONTROL GAUGE MOUNT
14	P0642014	DEPTH CONTROL ROD
15	P0642015	PHLP HD SCR M5-.8 X 12
16	P0642016	COLUMN
17	P0642017	CAP SCREW M5-.8 X 10
18	P0642018	COVER
19	P0642019	PIVOT BRACKET
20	P0642020	FLAT HD SCR M6-1 X 12
21	P0642021	CAP SCREW M8-1.25 X 25
22	P0642022	CAP SCREW M6-1 X 30
23	P0642023	LOCK WASHER 6MM
24	P0642024	THREADED BLOCK
25	P0642025	HEX NUT M6-1
26	P0642026	SET SCREW M6-1 X 45
27	P0642027	SPACER
28	P0642028	MOUNT
29	P0642029	COVER
30	P0642030	SWITCH BOX
31	P0642031	SWITCH PANEL
32	P0642032	ON/OFF SWITCH

REF	PART #	DESCRIPTION
33	P0642033	STRAIN RELIEF
34	P0642034	CABLE CLAMP
35	P0642035	MOTOR 1HP 110/220V 1PH
35-1	P0642035-1	S CAPACITOR 300M 125V 1.38 X 3.38
35-2V2	P0642035-2V2	R CAPACITOR 50M 250V 2-1/4 X 1-1/2 V2.11.14
35-3	P0642035-3	MOTOR FAN COVER
35-4	P0642035-4	MOTOR FAN
36	P0642036	HANDLE
37	P0642037	HEADSTOCK
38	P0642038	HEADSTOCK WAY
39	P0642039	BUSHING
40	P0642040	INT RETAINING RING 32MM
41	P0642041	FLAT WASHER 6MM
42	P0642042	PIVOT PIN
43	P0642043	FRONT PIVOT BAR
44	P0642044	FLAT WASHER 16MM
45	P0642045	UPPER DEPTH STOP
46	P0642046	SMALL PIVOT BAR
47	P0642047	FLAT WASHER 6MM
48	P0642048	CAP SCREW M6-1 X 12
49	P0642049	REAR PIVOT BAR
50	P0642050	BUSHING
51	P0642051	FLAT WASHER 8MM
52	P0642052	CAP SCREW M8-1.25 X 20
53	P0642053	DRILLED HEADLESS CLEVIS PIN
54	P0642054	POWER CORD
55	P0642055	BUTTON HD CAP SCR M6-1 X 20
56	P0642056	FLAT WASHER 6MM
57	P0642057	LOCK NUT M6-1
58	P0642058	HEX BOLT M8-1.25 X 35
59	P0642059	FLAT HD SCR M8-1.25 X 35



Table

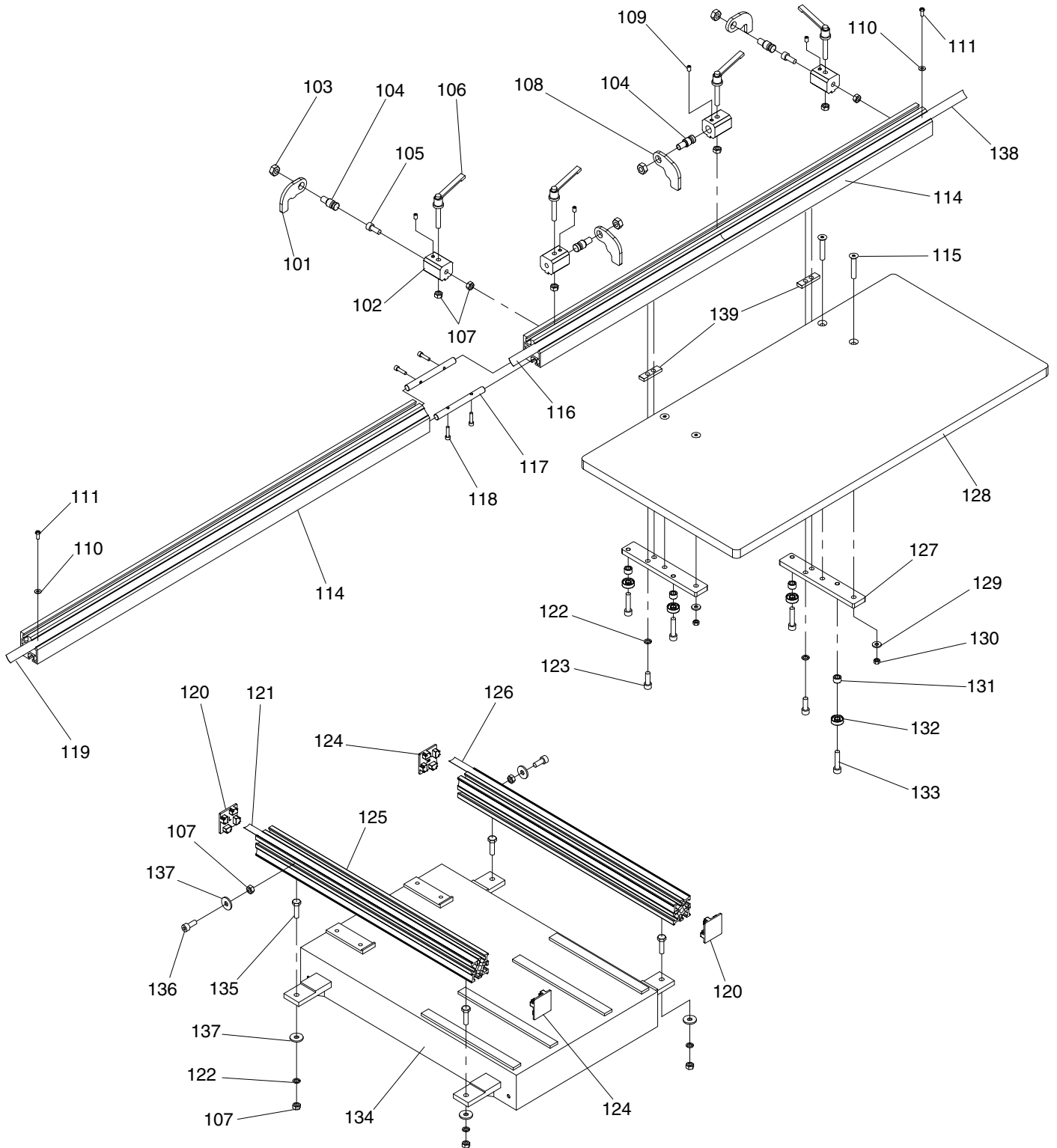


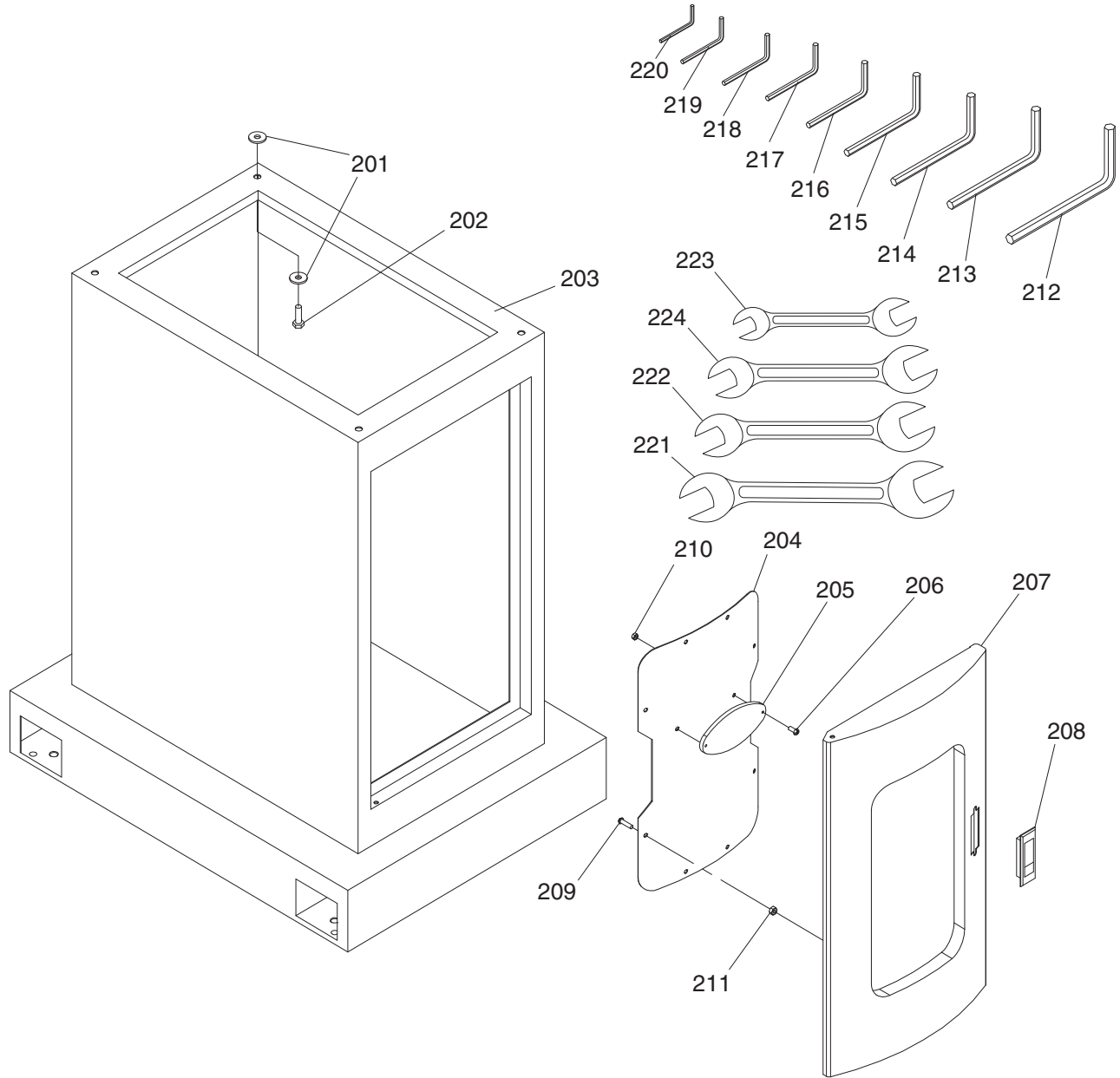
Table Parts List

REF	PART #	DESCRIPTION
101	P0642101	CROSS STOP PLATE
102	P0642102	MOUNTING BLOCK
103	P0642103	LOCK NUT M10-1.5
104	P0642104	STOP PIN
105	P0642105	CAP SCREW M8-1.25 X 16
106	P0642106	LOCK LEVER
107	P0642107	HEX NUT M8-1.25
108	P0642108	LONGITUDINAL STOP PLATE
109	P0642109	SET SCREW M6-1 X 6
110	P0642110	FLAT WASHER 5MM
111	P0642111	PHLP HD SCR M5-.8 X 12
114	P0642114	LONGITUDINAL FENCE
115	P0642115	FLAT HD SCR M6-1 X 40
116	P0642116	LEFT CENTER LONGITUDINAL SCALE
117	P0642117	FENCE CONNECTING ROD
118	P0642118	CAP SCREW M5-.8 X 16
119	P0642119	LEFT LONGITUDINAL SCALE
120	P0642120	LEFT CROSS FENCE END PLUG
121	P0642121	LEFT CROSS FENCE SCALE

REF	PART #	DESCRIPTION
122	P0642122	LOCK WASHER 8MM
123	P0642123	CAP SCREW M8-1.25 X 20
124	P0642124	RIGHT CROSS FENCE END PLUG
125	P0642125	CROSS FENCE
126	P0642126	RIGHT CROSS FENCE SCALE
127	P0642127	TABLE MOUNT
128	P0642128	TABLE
129	P0642129	FLAT WASHER 6MM
130	P0642130	HEX NUT M6-1
131	P0642131	BUSHING
132	P0642132	BALL BEARING 608 ZZ
133	P0642133	CAP SCREW M8-1.25 X 35
134	P0642134	CABINET TOP
135	P0642135	CAP SCREW M8-1.25 X 25
136	P0642136	CAP SCREW M8-1.25 X 12
137	P0642137	FLAT WASHER 8MM
138	P0642138	RIGHT CENTER LONGITUDINAL SCALE
139	P0642139	CONNECTING BAR



Cabinet & Tools

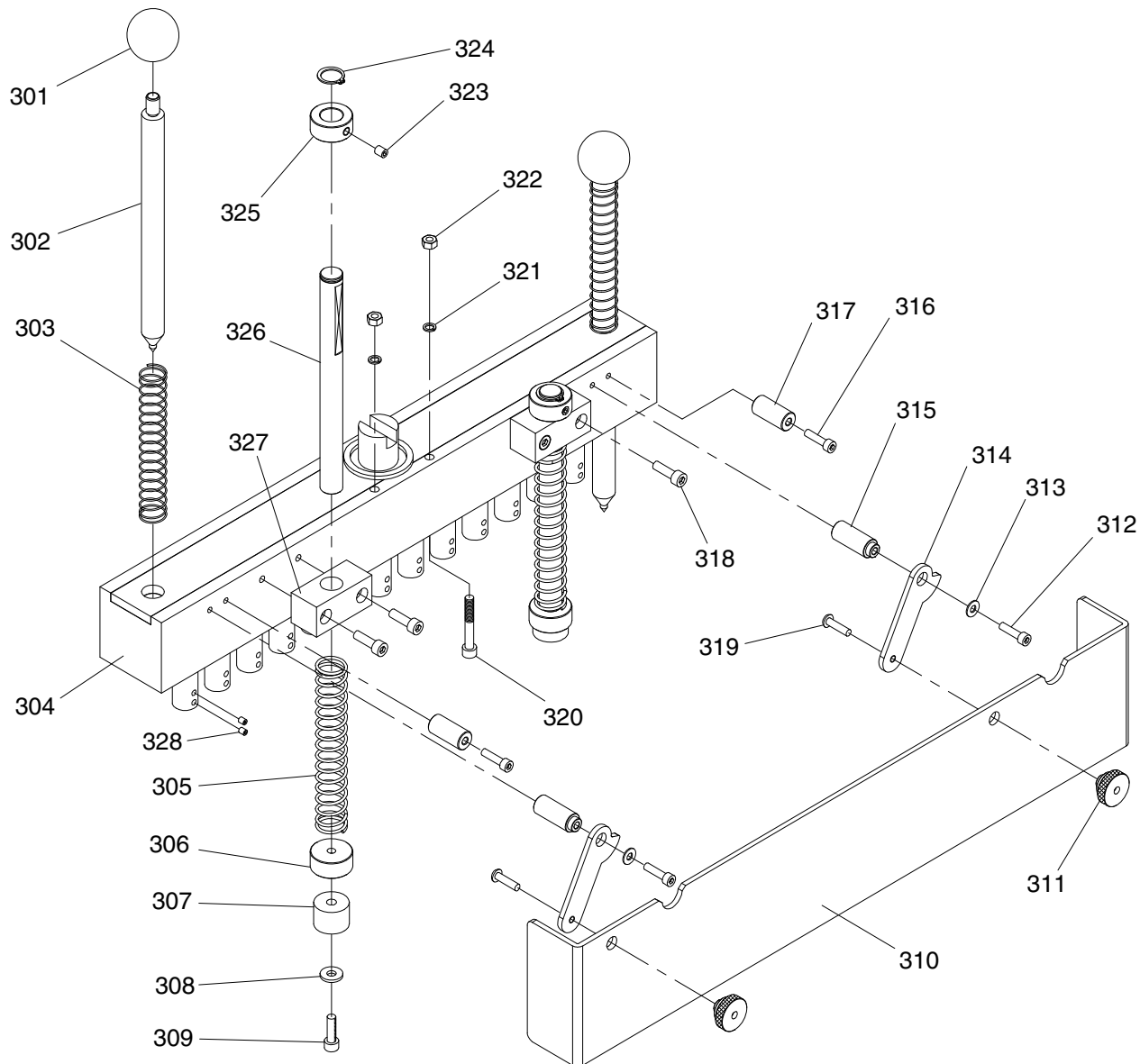


REF	PART #	DESCRIPTION
201	P0642201	FLAT WASHER 8MM
202	P0642202	HEX BOLT M8-1.25 X 16
203	P0642203	CABINET
204	P0642204	COVER
205	P0642205	GRIZZLY LOGO PLATE
206	P0642206	PHLP HD SCR M4-.7 X 12
207	P0642207	DOOR
208	P0642208	DOOR LATCH
209	P0642209	PHLP HD SCR M5-.8 X 12
210	P0642210	HEX NUT M4-.7
211	P0642211	HEX NUT M5-.8
212	P0642212	HEX WRENCH 10MM

REF	PART #	DESCRIPTION
213	P0642213	HEX WRENCH 8MM
214	P0642214	HEX WRENCH 6MM
215	P0642215	HEX WRENCH 5MM
216	P0642216	HEX WRENCH 4MM
217	P0642217	HEX WRENCH 3MM
218	P0642218	HEX WRENCH 2.5MM
219	P0642219	HEX WRENCH 2MM
220	P0642220	HEX WRENCH 1.5MM
221	P0642221	COMBO WRENCH 17/19MM
222	P0642222	COMBO WRENCH 12/14MM
223	P0642223	COMBO WRENCH 8/10MM
224	P0642224	COMBO WRENCH 11/13MM



Boring Head

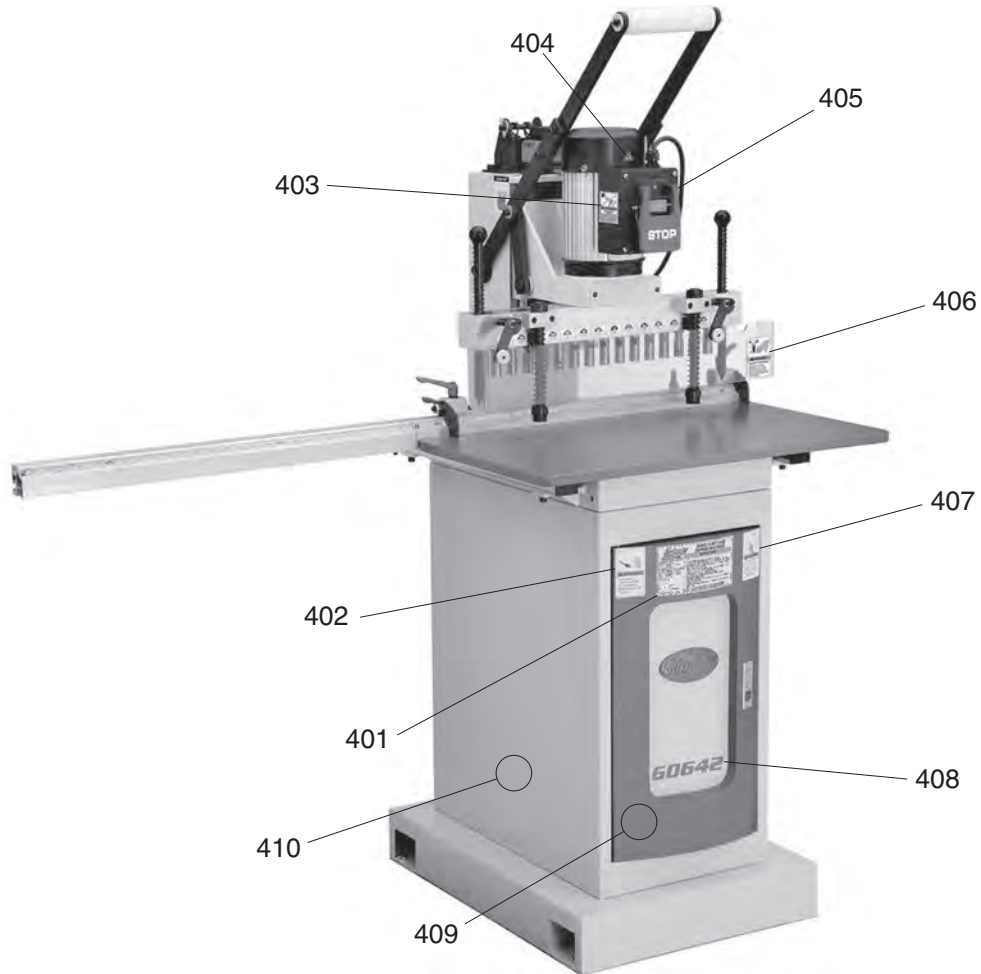


REF	PART #	DESCRIPTION
301	P0642301	INDEXING PIN KNOB
302	P0642302	INDEXING PIN
303	P0642303	INDEXING COMPRESSION SPRING
304	P0642304	BORING HEAD ASSY
305	P0642305	HOLD DOWN COMPRESSION SPRING
306	P0642306	COLLAR
307	P0642307	HOLD DOWN PAD
308	P0642308	FLAT WASHER 6MM
309	P0642309	CAP SCREW M6-1 X 20
310	P0642310	BORING HEAD GUARD
311	P0642311	GUARD RETAINER
312	P0642312	CAP SCREW M5-.8 X 30
313	P0642313	FLAT WASHER 5MM
314	P0642314	PIVOT BRACKET

REF	PART #	DESCRIPTION
315	P0642315	BUSHING
316	P0642316	CAP SCREW M5-.8 X 35
317	P0642317	BUSHING
318	P0642318	CAP SCREW M6-1 X 30
319	P0642319	BUTTON HD CAP SCR M5-.8 X 20
320	P0642320	CAP SCREW M6-1 X 70
321	P0642321	LOCK WASHER 6MM
322	P0642322	HEX NUT M6-1
323	P0642323	SET SCREW M6-1 X 5
324	P0642324	EXT RETAINING RING 16MM
325	P0642325	LOCK COLLAR
326	P0642326	HOLD DOWN ROD
327	P0642327	HOLD DOWN BRACKET
328	P0642328	SET SCREW M5-.8 X 5



Labels & Cosmetics



REF	PART #	DESCRIPTION
401	P0642401	MACHINE ID LABEL
402	P0642402	DISCONNECT WARNING LABEL
403	P0642403	ENTANGLEMENT HAZARD LABEL
404	P0642404	ELECTRICITY LABEL
405	P0642405	EYE INJURY HAZARD LABEL

REF	PART #	DESCRIPTION
406	P0642406	HAND INJURY HAZARD LABEL
407	P0642407	READ MANUAL LABEL
408	P0642408	MODEL NUMBER LABEL
409	P0642409	TOUCH-UP PAINT, GRIZZLY GREEN
410	P0642410	TOUCH-UP PAINT, GRIZZLY PUTTY

WARNING

Safety labels help reduce the risk of serious injury caused by machine hazards. If any label comes off or becomes unreadable, the owner of this machine **MUST** replace it in the original location before resuming operations. For replacements, contact (800) 523-4777 or www.grizzly.com.

