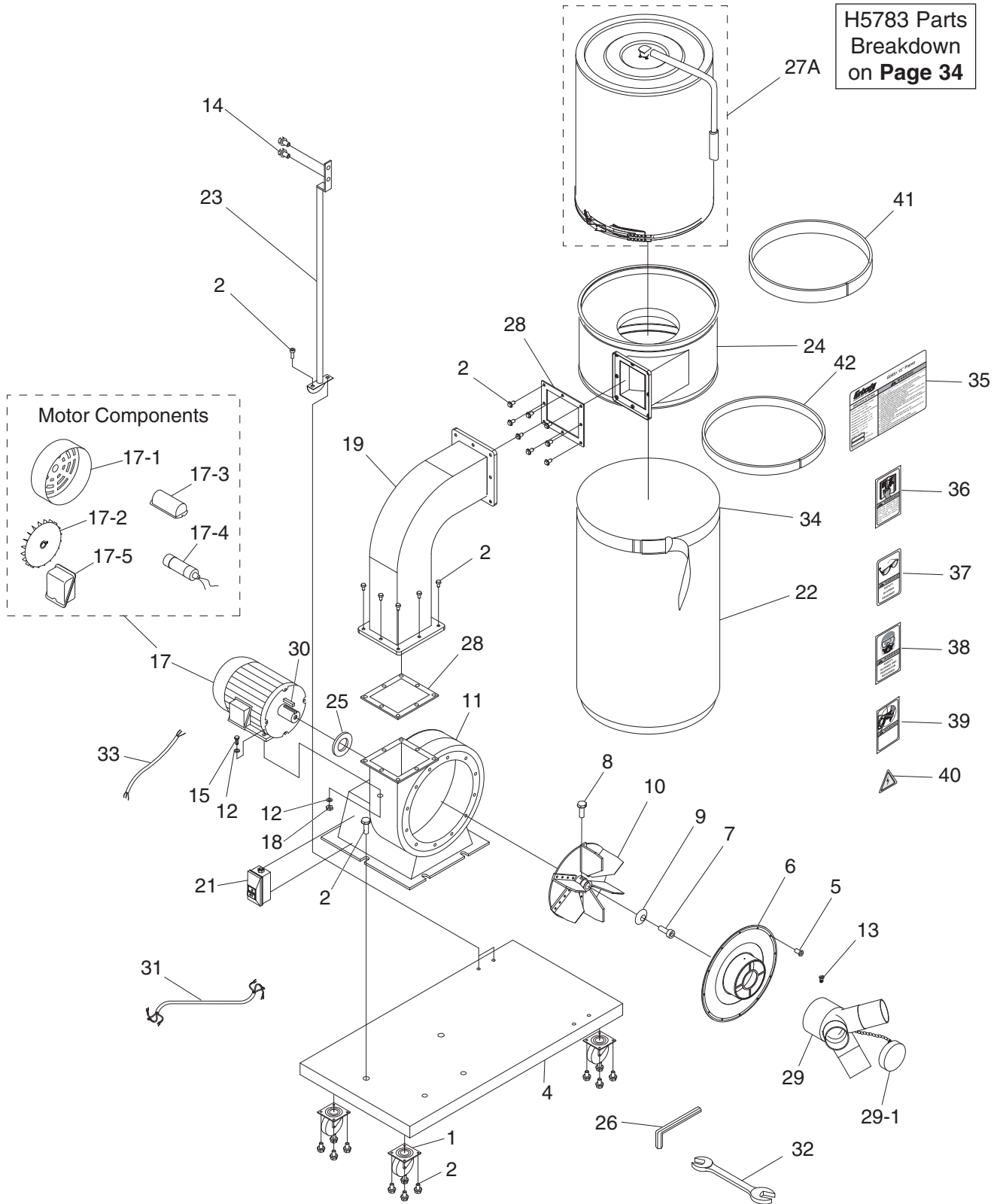


SECTION 9: PARTS

G0548 Main Breakdown



G0548 Main Parts List

REF	PART #	DESCRIPTION
1	P0548001	CASTERS
2	PFB01	FLANGE BOLT 5/16-18 X 1/2
4	P0548004	BASE PLATE
5	PS06	PHLP HD SCR 10-24 X 3/8
6	P1029006A	6" INLET COVER V2.10.01
7	PSB121M	CAP SCREW M6-1 X 20 (LH)
8	PB09	HEX BOLT 5/16-18 X 1/2
9	P0548009	SPECIAL WASHER 7 X 40 X 4
10	P1029010	TURBO FAN STRAIGHT FIN V2.10.04
11	P0548011	COLLECTOR BODY
12	PW07	FLAT WASHER 5/16
13	PS06	PHLP HD SCR 10-24 X 3/8
14	PFB01	FLANGE BOLT 5/16-18 X 1/2
15	PB03	HEX BOLT 5/16-18 X 1
17	P0548017	MOTOR 2HP 220V 1PH
17-1	P0548017-1	MOTOR FAN COVER
17-2	P0548017-2	MOTOR FAN
17-3	P0548017-3	CAPACITOR COVER
17-4	PC400B	CAPACITOR 400M 125V 1-3/4 X 3-7/8
17-5	P0548017-5	MOTOR WIRING JUNCTION BOX
18	PN02	HEX NUT 5/16"-18
19	P0548019	OUTLET CONNECTOR
21	PSW04	PUSH BUTTON SWITCH

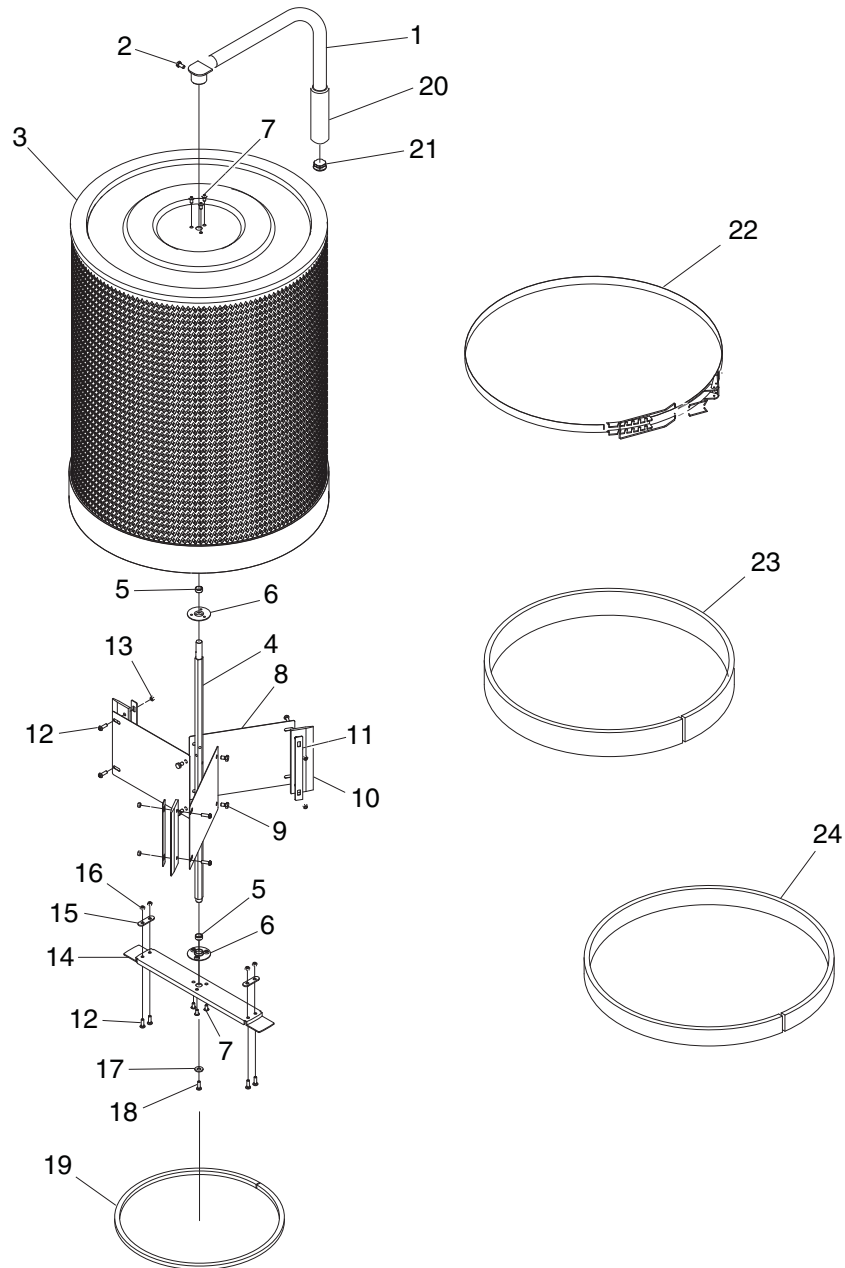
REF	PART #	DESCRIPTION
22	H6899	COLLECTION BAG
23	P1028023	COLLECTOR SUPPORT
24	P0548024	COLLECTOR
25	P0548025	SPACER
26	PAW04M	HEX WRENCH 4MM
27A	H5783	COMPLETE CANISTER ASSY
28	P0548028	RUBBER GASKET
29	P1030027	INLET
29-1	P0548029-1	INLET CAP
30	PK28M	KEY 7 X 7 X 29
31	PWRCRD220L	POWER CORD 12/3 86"L
32	PWR1012	COMBO WRENCH 10/12MM
33	PWRCRD220S	POWER CORD 12/3 36"L
34	P1028Z038	QUICK RELEASE CLAMP
35	P0548035	MACHINE ID LABEL
36	PLABEL-12	READ MANUAL 2W X 3.3H
37	PLABEL-11	SAFETY GLASSES 2W X 3.3H
38	PLABEL-39	RESPIRATOR 2W X 3.3H
39	P0548039	NO HAND IN INLET LABEL
40	PLABEL-14	ELECTRICITY LABEL 1.4W X 1.2H
41	P0548041	FOAM STRIP 5 X 42MM
42	P0548042	FOAM STRIP 6 X 20MM

WARNING

Safety labels warn about machine hazards and ways to prevent injury. The owner of this machine **MUST** maintain the original location and readability of the labels on the machine. If any label is removed or becomes unreadable, **REPLACE** that label before using the machine again. Contact Grizzly at (800) 523-4777 or www.grizzly.com to order new labels.



H5783 Canister Filter Assembly



REF	PART #	DESCRIPTION
1	PH5783001	CLEANING HANDLE
2	PB83M	HEX BOLT M6-1 X 16
3	PH5783003	CANISTER FILTER
4	PH5783004	HEX SPINDLE
5	PH5783005	THRUST BEARING 12 X 14 X 6
6	PH5783006	BEARING PLATE
7	PS09M	PHLP HD SCR M5-.8 X 10
8	PH5783008	FLAP BOARD
9	PB04M	HEX BOLT M6-1 X 10
10	PH5783010	RUBBER FLAP
11	PH5783011	FLAP PLATE
12	PS20M	PHLP HD SCR M5-.8 X 15

REF	PART #	DESCRIPTION
13	PLN02M	LOCK NUT M5-.8
14	PH5783014	BOTTOM PLATE
15	PH5783015	SUPPORT TAB
16	PN06M	HEX NUT M5-.8
17	PW06	FLAT WASHER 1/4
18	PS68M	PHLP HD SCR M6-1 X 10
19	PH5783019	SPONGE GASKET 10 X 15MM
20	PH5783020	HANDLE SLEEVE
21	PH5783021	HANDLE CAP
22	PH5783022	QUICK RELEASE CLAMP
23	PH5783023	FOAM STRIP 6 X 20MM
24	PH5783024	FOAM STRIP 5 X 42MM

