

Table Parts Breakdown

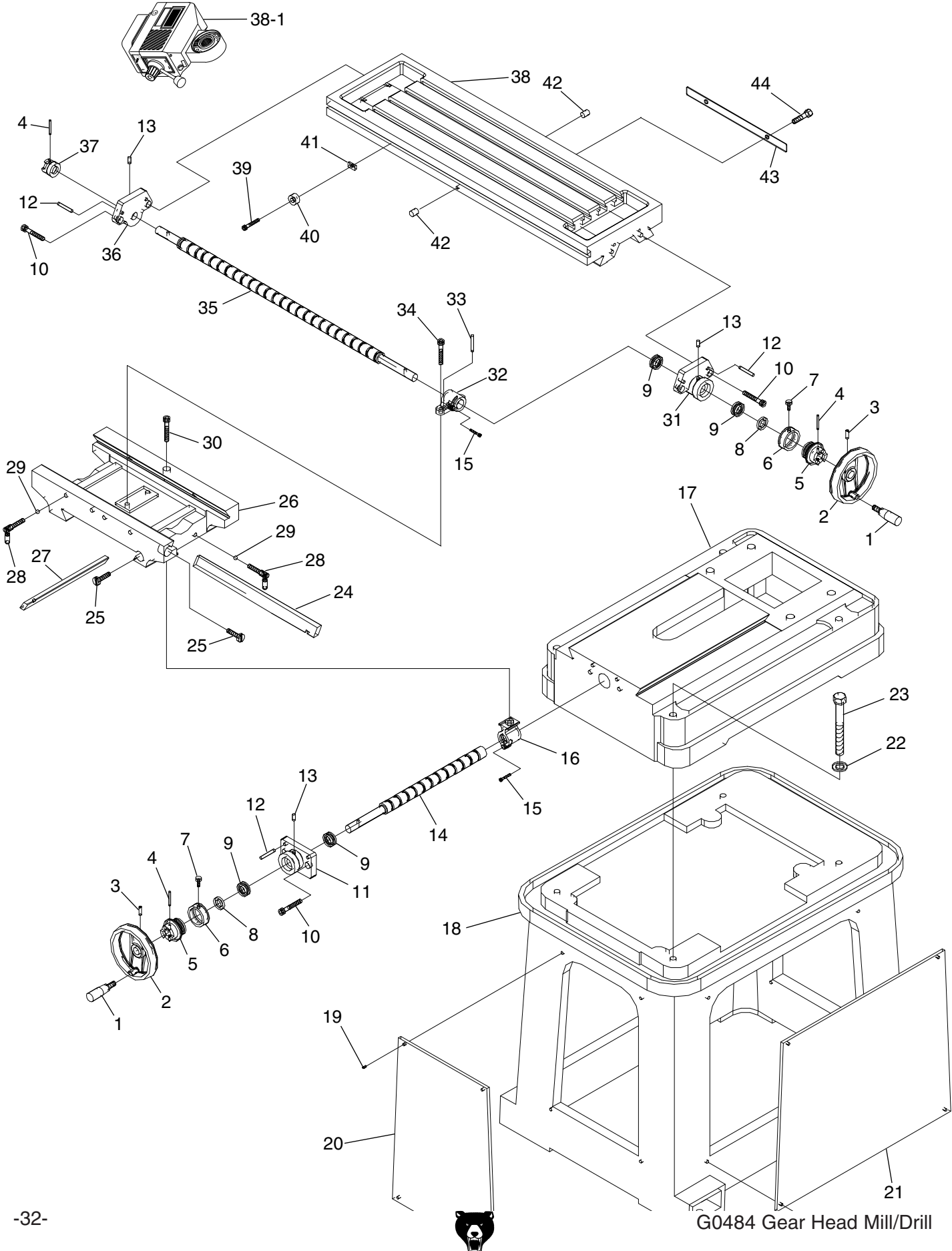


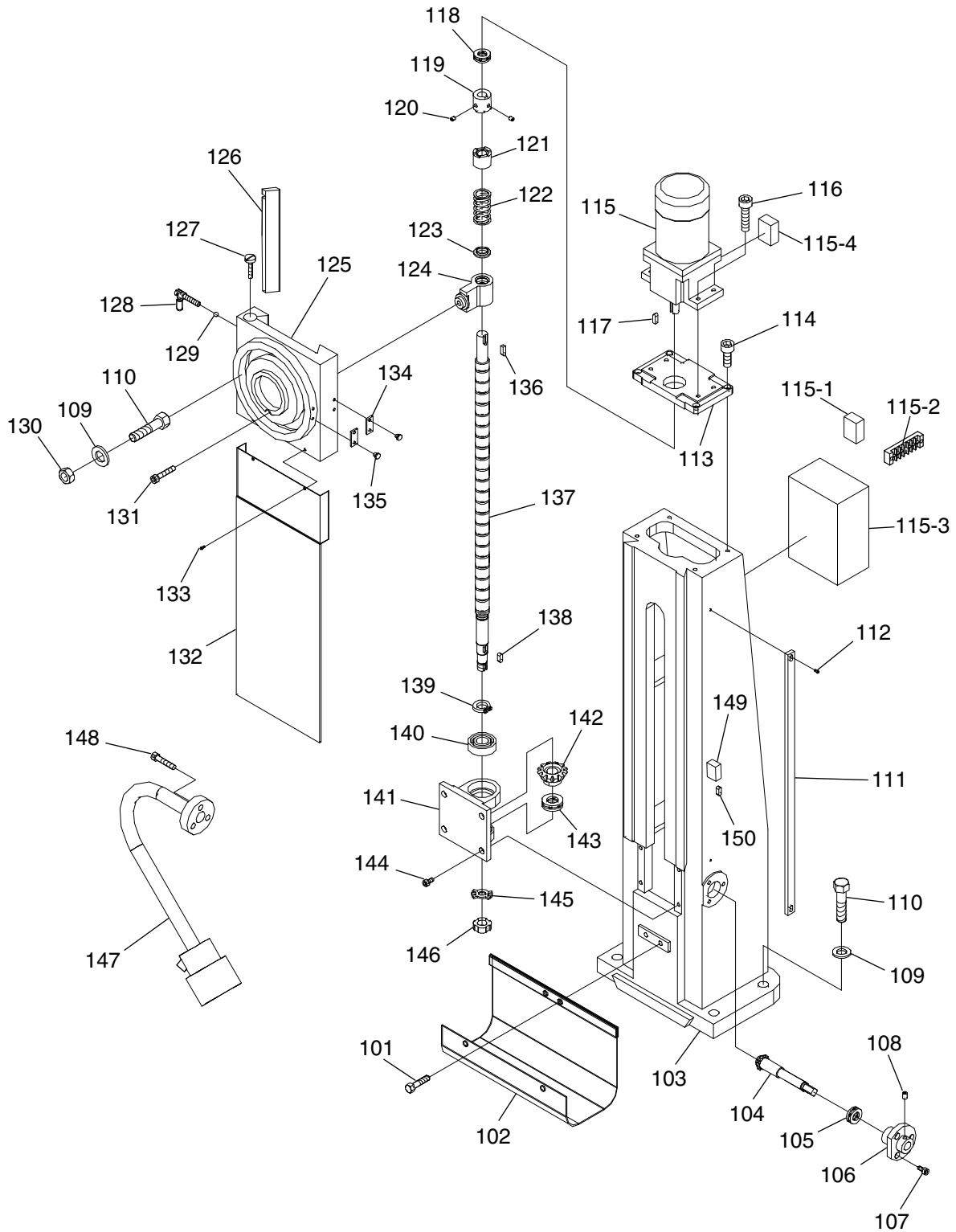
Table Parts List

REF	PART #	DESCRIPTION
1	P0484001	HANDLE
2	P0484002	HANDWHEEL
3	PSS03M	SET SCREW M6-1 X 8
4	P0484004	PIN
5	P0484005	HANDWHEEL CLUTCH
6	P0484006	GRADUATED DIAL
7	P0484007	KNOB M5-.8 X 12
8	P0484008	SHIFTING RING
9	P0484009	THRUST BEARING 17 X 30 X 9MM
10	PSB14M	CAP SCREW M8-1.25 X 20
11	P0484011	LEAD SCREW SUPPORT
12	P0484012	PIN
13	P0484013	BALL OILER
14	P0484014	LEAD SCREW
15	PSB33M	CAP SCREW M5-.8 X 12
16	P0484016	LEAD SCREW NUT
17	P0484017	BASE
18	P0484018	STAND
19	PS17M	PHLP HD SCR M4-.7 X 6
20	P0484020	FRONT PANEL
21	P0484021	SIDE PANEL
22	PW06M	FLAT WASHER 12MM

REF	PART #	DESCRIPTION
23	PB157M	HEX BOLT M12-1.75 X 130
24	P0484024	GIB
25	P0484025	GIB ADJUSTING SCREW
26	P0484026	SADDLE
27	P0484027	GIB
28	P0484028	LOCK HANDLE
29	P0484029	STEEL BALL 6.5MM
30	PSB31M	CAP SCREW M8-1.25 X 25
31	P0484031	LEAD SCREW SUPPORT
32	P0484032	LEAD SCREW NUT
33	P0484033	PIN
34	PSB31M	CAP SCREW M8-1.25 X 25
35	P0484035	LEAD SCREW
36	P0484036	LEAD SCREW SUPPORT
37	P0484037	DIAL CLUTCH
38	P0484038	TABLE
39	PSB26M	CAP SCREW M6-1 X 12
40	P0484040	STOP BLOCK
41	P0484041	STOP BLOCK NUT
42	P0484042	BALL OILER
43	P0484043	REAR TABLE PLATE
44	PB06M	HEX BOLT M8-1.25 X 12



Column Parts Breakdown



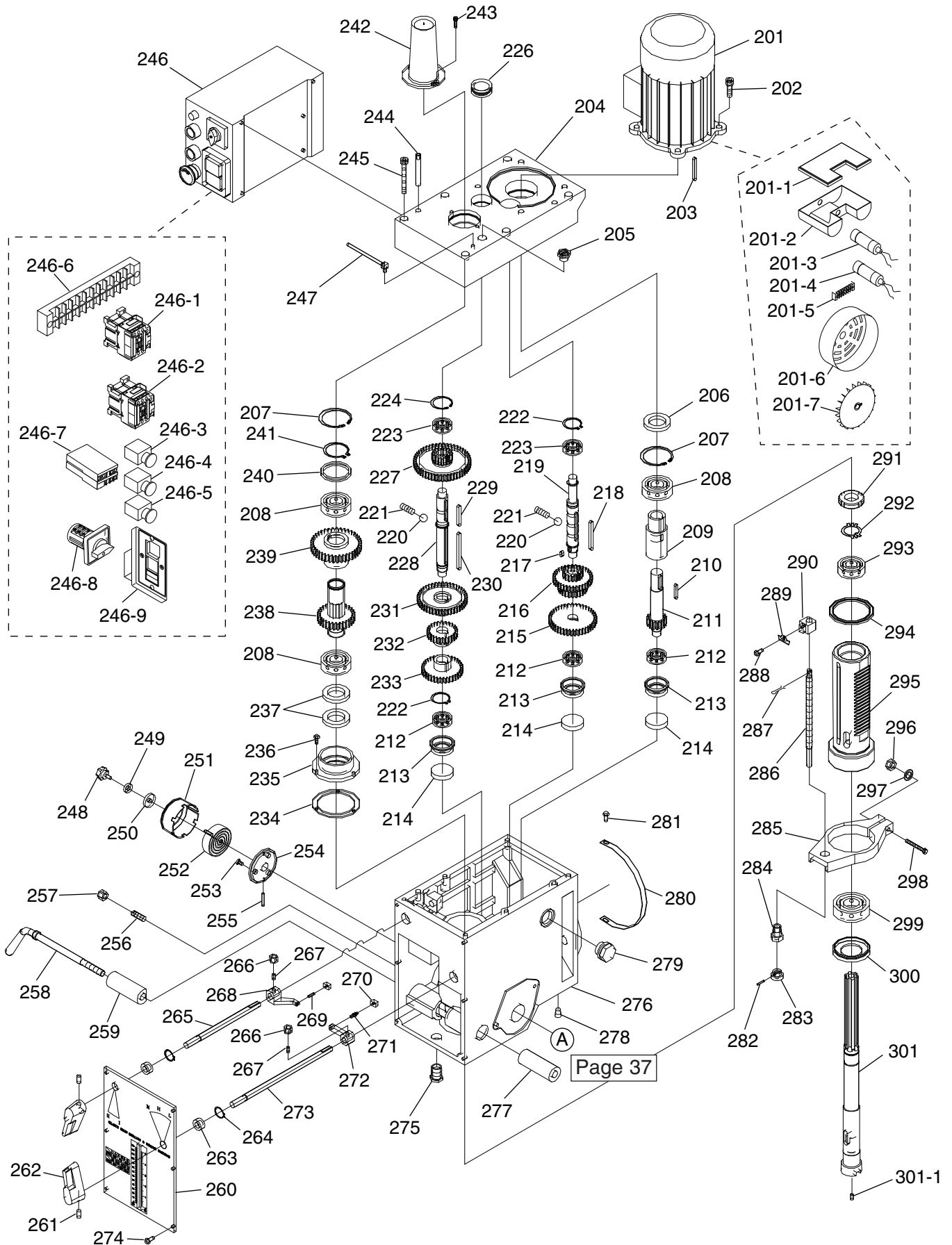
Column Parts List

REF	PART #	DESCRIPTION
101	PB06M	HEX BOLT M8-1.25 X 12
102	P0484102	SADDLE WAY PROTECTOR
103	P0484103	COLUMN
104	P0484104	GEAR SHAFT
105	P0484105	THRUST BEARING 15 X 28 X 9MM
106	P0484106	GEAR SHAFT BRACKET
107	PSB26M	CAP SCREW M6-1 X 12
108	P0484108	BALL OILER
109	PLW10M	LOCK WASHER 16MM
110	PB80M	HEX BOLT M16-2 X 55
111	P0484111	SCALE
112	PS37M	PHLP HD SCR M6-1 X 6
113	P0484113	MOTOR MOUNT
114	PSB01M	CAP SCREW M6-1 X 16
115	P0484115	MOTOR 1/8HP 220V/60HZ/1-PH
115-1	P0484115-1	CAPACITOR CBB61 5MFD/450VAC
115-2	P0484115-2	TERMINAL BLOCK
115-3	P0484115-3	MOTOR ELECTRICAL BOX
115-4	P0484115-4	MOTOR JUNCTION BOX
116	PSB06M	CAP SCREW M6-1 X 25
117	PK01M	KEY 5 X 5 X 22
118	P0484118	THRUST BEARING 15 X 28 X 9MM
119	P0484119	TOP CLUTCH
120	PSS03M	SET SCREW M6-1 X 8
121	P0484121	BOTTOM CLUTCH
122	P0484122	COMPRESSION SPRING

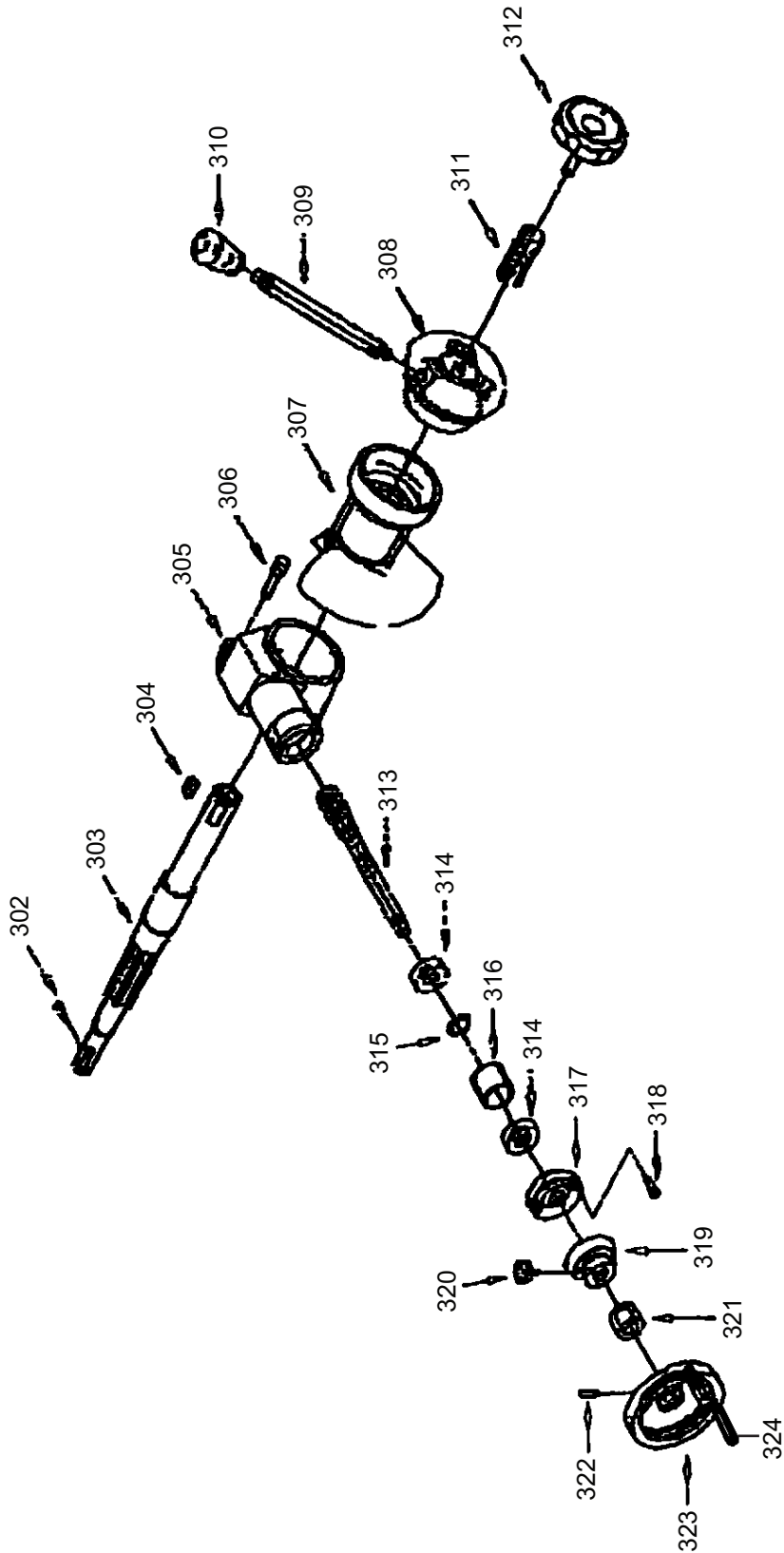
REF	PART #	DESCRIPTION
123	P0484123	SPRING BASE
124	P0484124	LEAD SCREW NUT
125	P0484125	HEADSTOCK MOUNT
126	P0484126	GIB
127	P0484127	GIB ADJUSTING SCREW
128	P0484128	LOCK HANDLE
129	P0484029	STEEL BALL 6.5MM
130	PN13M	HEX NUT M16-2
131	PSB12M	CAP SCREW M8-1.25 X 40
132	P0484132	COLUMN WAY PROTECTOR
133	PS07M	PHLP HD SCR M4-.7 X 8
134	P0484134	REFERENCE MARKER
135	P0484135	RIVET
136	PK147M	KEY 6 X 6 X 18
137	P0484137	LEAD SCREW
138	PK147M	KEY 6 X 6 X 18
139	PR09M	EXT RETAINING RING 20MM
140	P0484140	BALL BEARING 6204
141	P0484141	BEARING BRACKET
142	P0484142	BEVEL GEAR
143	P0484143	THRUST BEARING 17 X 30 X 9MM
144	PSB26M	CAP SCREW M6-1 X 12
145	P0484145	SPECIAL LOCK WASHER 16MM
146	PN13M	HEX NUT M16-2
147	P0484147	LAMP
148	PS22M	PHLP HD SCR M5-.8 X 25



Head Parts Breakdown, Part A



Head Parts Breakdown, Part B



Head Parts List

REF	PART #	DESCRIPTION
201	P0484201	MOTOR 1-1/2HP 220V/60HZ/1-PH
201-1	P0484201-1	MOTOR JUNCTION BOX COVER
201-2	P0484201-2	MOTOR JUNCTION BOX
201-3	P0484201-3	CAPACITOR CD60 150MFD/250VAC
201-4	P0484201-4	CAPACITOR CBB60 20MFD/450VAC
201-5	P0484201-5	TERMINAL BLOCK
201-6	P0484201-6	MOTOR FAN COVER
201-7	P0484201-7	MOTOR FAN
202	PSB64M	CAP SCREW M10-1.5 X 25
203	PK74M	KEY 6 X 6 X 35
204	P0484204	HEAD BODY COVER
205	P0484205	OIL CAP
206	P0484206	OIL SEAL
207	PR38M	INT RETAINING RING 62MM
208	P6007	BALL BEARING 6007ZZ
209	P0484209	MOTOR SHAFT
210	PK42M	KEY 6 X 6 X 30
211	P0484211	GEAR
212	P6003	BALL BEARING 6003ZZ
213	P0484213	BEARING BRACKET
214	P0484214	STOPPLE
215	P0484215	GEAR
216	P0484216	GEAR
217	P0484217	KEY 6 X 6 X 14
218	P0484218	KEY 5 X 5 X 60
219	P0484219	SHAFT
220	P0484220	STEEL BALL 8MM
221	P0484221	COMPRESSION SPRING
222	PR07M	EXT RETAINING RING 18MM
223	P6202	BALL BEARING 6202ZZ
224	PR21M	INT RETAINING RING 35MM
225	P0484225	O-SEAL RING
226	P0484226	CAP
227	P0484227	GEAR
228	P0484228	SHAFT
229	PK36M	KEY 5 X 5 X 50
230	P0484230	KEY 6 X 6 X 75
231	P0484231	GEAR
232	P0484232	GEAR
233	P0484233	GEAR
234	P0484234	AIRTIGHT RING
235	P0484235	AIRTIGHT BASE
236	PS05M	PHLP HD SCR M5-.8 X 8
237	P0484237	OIL SEAL
238	P0484238	GEAR
239	P0484239	GEAR
240	P0484240	SEPARATING RING
241	PR12M	EXT RETAINING RING 35MM
242	P0484242	ARBOR BOLT COVER
243	PSB33M	CAP SCREW M5-.8 X 12

REF	PART #	DESCRIPTION
244	P0484244	PIN
245	PSB05M	CAP SCREW M8-1.25 X 50
246	P0484246	ELECTRIC BOX
246-1	P0484246-1	LIFT MOTOR CONTACTOR KM2
246-2	P0484246-2	LIFT MOTOR CONTACTOR KM1
246-3	P0484246-3	LIFT MOTOR UP BUTTON
246-4	P0484246-4	LIFT MOTOR DOWN BUTTON
246-5	P0484246-5	EMERGENCY STOP BUTTON
246-6	P0484246-6	MASTER JUNCTION TERMINAL BLOCK
246-7	P0484246-7	TRANSFORMER
246-8	P0484246-8	SPINDLE MOTOR ROTARY SWITCH
246-9	P0484246-9	MASTER POWER SWITCH
247	P0484247	PRESSURE RELIEF HOSE
248	P0484248	KNURLED KNOB
249	PLW03M	LOCK WASHER 6MM
250	PW01M	FLAT WASHER 8MM
251	P0484251	SPRING CAP
252	P0484252	COIL SPRING
253	PFH05M	FLAT HD SCR M5-.8 X 12
254	P0484254	SPRING BASE
255	P0484255	PIN
256	PSS73M	SET SCREW M10-1.5 X 30
257	PN02M	HEX NUT M10-1.5
258	P0484258	HANDLE ROD
259	P0484259	BUSHING
260	P0484260	FACE PLATE
261	PSS20M	SET SCREW M8-1.25 X 8
262	P0484262	SPEED LEVER
263	P0484263	OIL SEAL
264	PR03M	EXT RETAINING RING 12MM
265	P0484265	LEVER SHAFT (LEFT)
266	PN01M	HEX NUT M6-1
267	PSS04M	SET SCREW M6-1 X 12
268	P0484268	LEVER (LEFT)
269	P0484269	PIN
270	P0484270	LEVER BRACKET
271	P0484271	PIN
272	P0484272	LEVER (RIGHT)
273	P0484273	LEVER SHAFT (RIGHT)
274	PS17M	PHLP HD SCR M4-.7 X 6
275	P0484275	SPECIAL NUT
276	P0484276	HEAD BODY
277	P0484277	BUSHING
278	P0484278	OIL COVER
279	P0484279	SIGHT GLASS
280	P0484280	SCALE
281	PS05M	PHLP HD SCR M5-.8 X 8
282	P0484282	PIN
283	P0484283	KNOB
284	P0484284	SUPPORT



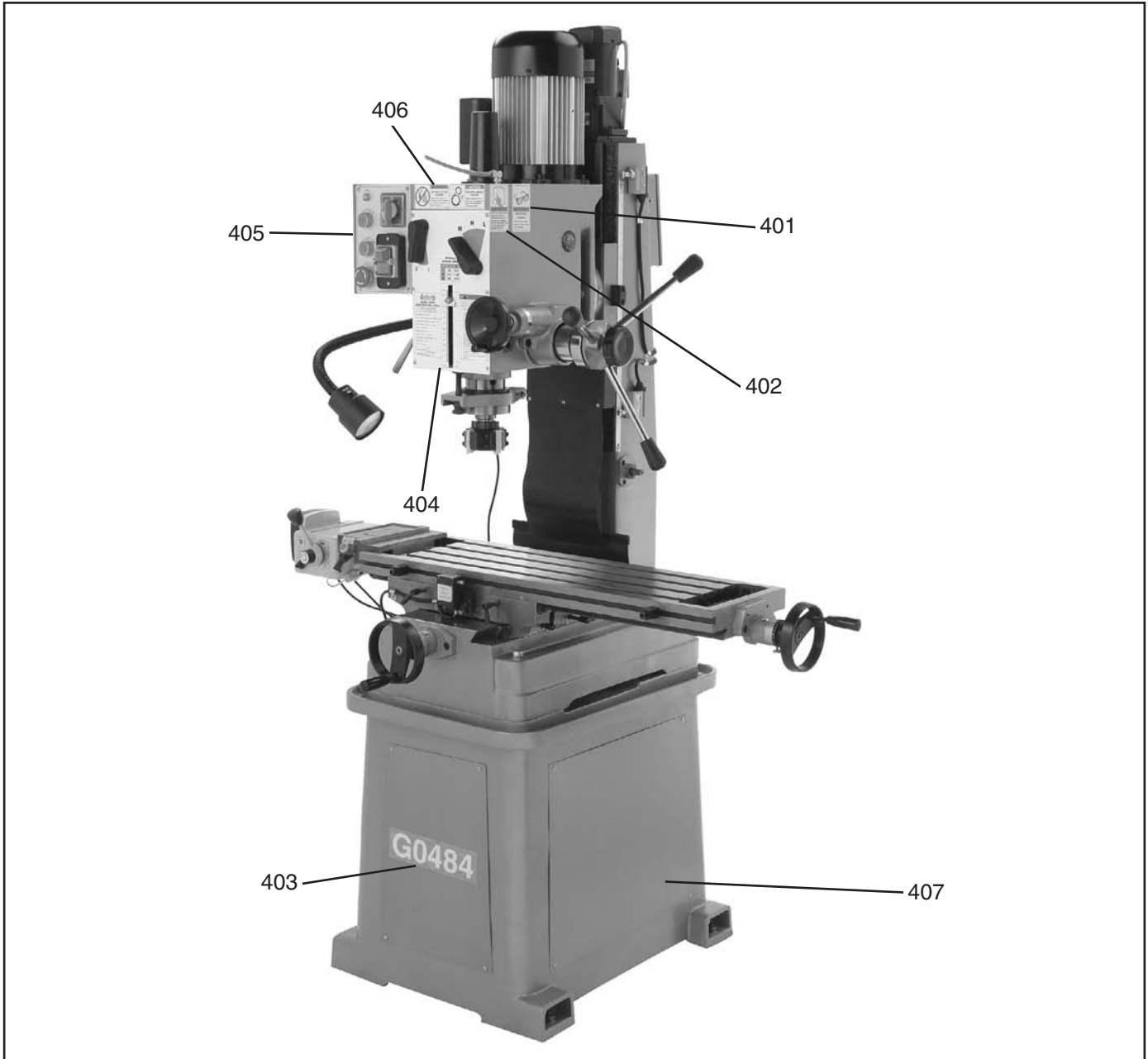
Head Parts List

REF	PART #	DESCRIPTION
285	P0484285	FEED BASE
286	P0484286	SHAFT
287	P0484287	PIN
288	PS17M	PHLP HD SCR M4-.7 X 6
289	P0484289	REFERENCE MARKER
290	P0484290	BRACKET
291	P0484291	SPECIAL NUT
292	P0484292	LOCK WASHER 30MM
293	P0484293	TAPERED ROLLER BEARING
294	P0484294	FLAT WASHER 75MM
295	P0484295	QUILL
296	PN01M	HEX NUT M6-1
297	PW03M	FLAT WASHER 6MM
298	PB39M	HEX BOLT M6-1 X 50
299	P0484299	TAPERED ROLLER BEARING
300	P0484300	BEARING CUP
301	P0484301	SPINDLE
302	PFH19M	FLAT HD SCR M4-.7 X 10
303	P0484303	PINION SHAFT
304	P0484304	KEY 8 X 7 X 22

REF	PART #	DESCRIPTION
305	P0484305	FEED COVER
306	PSB31M	CAP SCREW M8-1.25 X 25
307	P0484307	WORM WHEEL
308	P0484308	HANDLE BODY
309	P0484309	HANDLE ROD
310	P0484310	HANDLE BALL
311	P0484311	COMPRESSION SPRING
312	P0484312	KNOB
313	P0484313	WORM GEAR
314	P6202	BALL BEARING 6202ZZ
315	PR05M	EXT RETAINING RING 15MM
316	P0484316	SEPARATING RING
317	P0484317	WORM COVER
318	PSB24M	CAP SCREW M5-.8 X 16
319	P0484319	GRADUATED SCALE
320	P0484320	KNOB M5-.8 X 12
321	P0484321	BUSHING
322	PSS31M	SET SCREW M5-.8 X 8
323	P0484323	HANDWHEEL
324	P0484324	HANDLE



Label Placement



REF PART #	DESCRIPTION
401	PLABEL-11 SAFETY GLASSES LABEL
402	PLABEL-12 READ MANUAL LABEL
403	P0484327 MODEL NUMBER LABEL
404	P0484328 MACHINE ID & CONTROL PANEL LABEL

REF PART #	DESCRIPTION
405	PLABEL-14 ELECTRICITY LABEL
406	P0484330 CUTTING/DAMAGE LABEL
407	PPAINT-1 GRIZZLY GREEN TOUCH UP PAINT

WARNING

Safety labels warn about machine hazards and ways to prevent injury. The owner of this machine **MUST** maintain the original location and readability of the labels on the machine. If any label is removed or becomes unreadable, **REPLACE** that label before using the machine again. Contact Grizzly at (800) 523-4777 or www.grizzly.com to order new labels.

