



MODEL H6188 1/4" INDUSTRIAL AIR RATCHET INSTRUCTION SHEET

⚠ WARNING


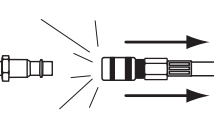
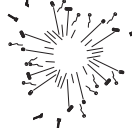
	<p>EYE/EAR INJURY HAZARD! Wear safety glasses and hearing protection during use of this tool!</p>
	<p>INJURY HAZARD! Always disconnect tool from air to prevent unexpected operation during service!</p>
	<p>DO NOT EXCEED 120 PSI! Personal injury could occur.</p>



Figure 1. Model H6188

Introduction

- 230 RPM free speed
- 30 ft/lbs maximum torque
- 90 PSI operating pressure
- 5 CFM average air consumption
- 92 dB(A) sound level
- 1/4" Air inlet
- Forward and reverse
- Short, ergonomic profile

Inventory

- A. 1/4" Industrial Air Ratchet..... 1

Operation

Install any 1/4" drive socket onto your air ratchet. Choose from clockwise (R) to tighten, or counterclockwise (L) to loosen by turning the direction control on top of the ratchet. Connect the air ratchet to your regulated air source.

Air ratchet **MUST** have 3-4 drops of air tool oil directly dropped into the air fitting before each use as shown in **Figure 2**.

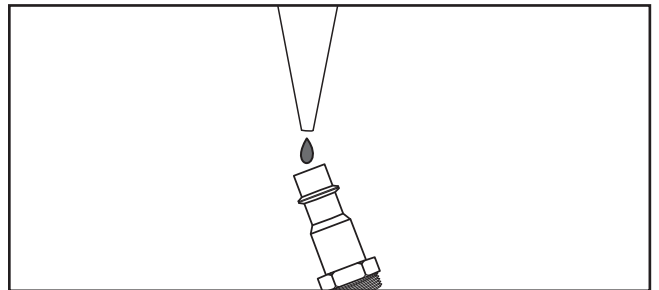


Figure 2. Lubricating directly into air fitting.

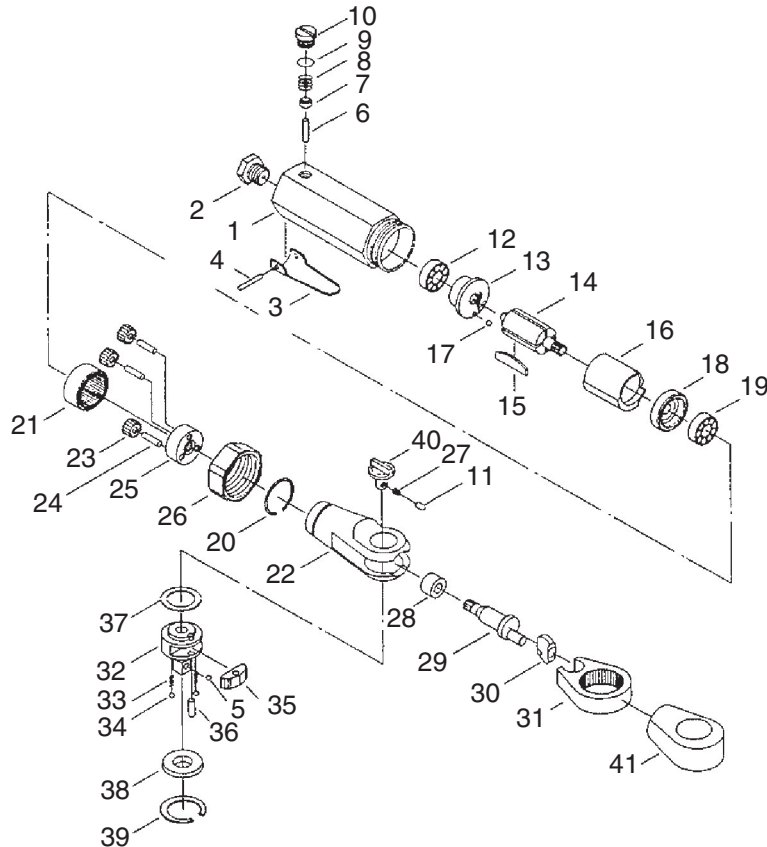
If you need help with your new pneumatic tool, call our Tech Support at: (570) 546-9663.

COPYRIGHT © JUNE, 2006 BY GRIZZLY INDUSTRIAL, INC.

WARNING: NO PORTION OF THIS MANUAL MAY BE REPRODUCED IN ANY SHAPE OR FORM WITHOUT THE WRITTEN APPROVAL OF GRIZZLY INDUSTRIAL, INC.

#PC8324 PRINTED IN TAIWAN

H6188 Parts Breakdown and List



REF	PART #	DESCRIPTION
1	PH6188001	HOUSING
2	PH6188002	AIR INLET
3	PH6188003	THROTTLE LEVER
4	PH6188004	ROLL PIN
5	PH6188005	STEEL BALL
6	PH6188006	VALVE PIN
7	PH6188007	VALVE
8	PH6188008	COMPRESSION SPRING
9	PH6188009	O-RING
10	PH6188010	VALVE PLUG
11	PH6188011	LOCK PIN
12	PH6188012	REAR BEARING
13	PH6188013	REAR PLATE
14	PH6188014	ROTOR
15	PH6188015	ROTOR BLADE
16	PH6188016	CYLINDER
17	PH6188017	CYLINDER PIN
18	PH6188018	FRONT PLATE
19	PH6188019	FRONT BEARING
20	PH6188020	RETAINER RING
21	PH6188021	THREAD RING GEAR

REF	PART #	DESCRIPTION
22	PH6188022	RATCHET HOUSING
23	PH6188023	IDLER GEAR
24	PH6188024	IDLER GEAR PIN
25	PH6188025	INDLER GEAR PLATE
26	PH6188026	CLAMP NUT
27	PH6188027	COMPRESSION SPRING
28	PH6188028	NEEDLE BEARING
29	PH6188029	CRANK SHAFT
30	PH6188030	DRIVE BUSHING
31	PH6188031	RATCHET YOKE
32	PH6188032	RATCHET ANVIL
33	PH6188033	COMPRESSION SPRING
34	PH6188034	STEEL BALL
35	PH6188035	PAWL
36	PH6188036	DOWEL PIN
37	PH6188037	THIN WASHER
38	PH6188038	THRUST WASHER
39	PH6188039	RETAINER RING
40	PH6188040	REVERSE BUTTON
41	PH6188041	RUBBER GRIP