



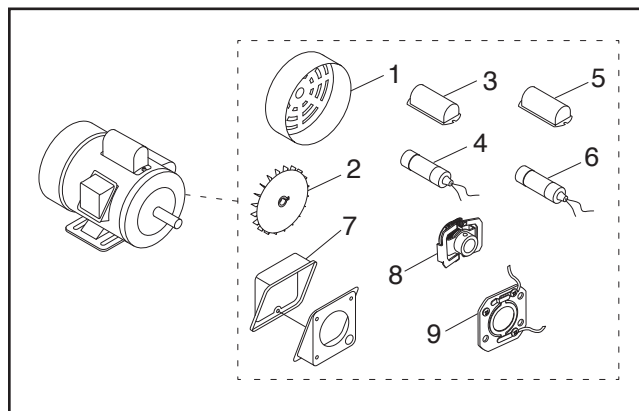

MODEL H5379 1 HP ELECTRIC MOTOR INSTRUCTIONS

For questions or help with this product contact Tech Support at (570) 546-9663 or techsupport@grizzly.com

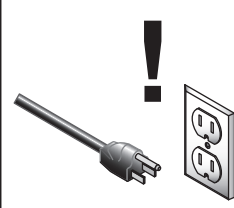
Model H5379 Specifications

Power 1 HP
 Cycle.....60 Hz
 Voltage..... 110/220V
 Prewired Voltage 110V
 Amps 11.6/5.8A
 Speed 1725 RPM
 Phase Single-Phase
 Class..... B

Replaceable Parts

! WARNING
 Electrocutation or fire could result if this motor is not grounded correctly or if your wire connections do not comply with local and state codes. Ensure compliance by checking with a qualified electrician!



! WARNING
 Disconnect power when replacing motor. Failure to do this may result in serious personal injury.

REF PART # DESCRIPTION

REF PART #	DESCRIPTION
1	PH5379001 MOTOR FAN COVER
2	PH5379002 MOTOR FAN
3	PH5379003 S CAPACITOR COVER
4	PH5379004 S CAPACITOR 300M 125V 1-3/4 X 3-3/8
5	PH5379005 R CAPACITOR COVER
6	PH5379006 R CAPACITOR 30M 250V 1-3/8 X 2-3/8
7	PH5379007 JUNCTION BOX
8	PH5379008 CENTRIFUGAL SWITCH
9	PH5379009 CONTACT PLATE

Making Wire Connections

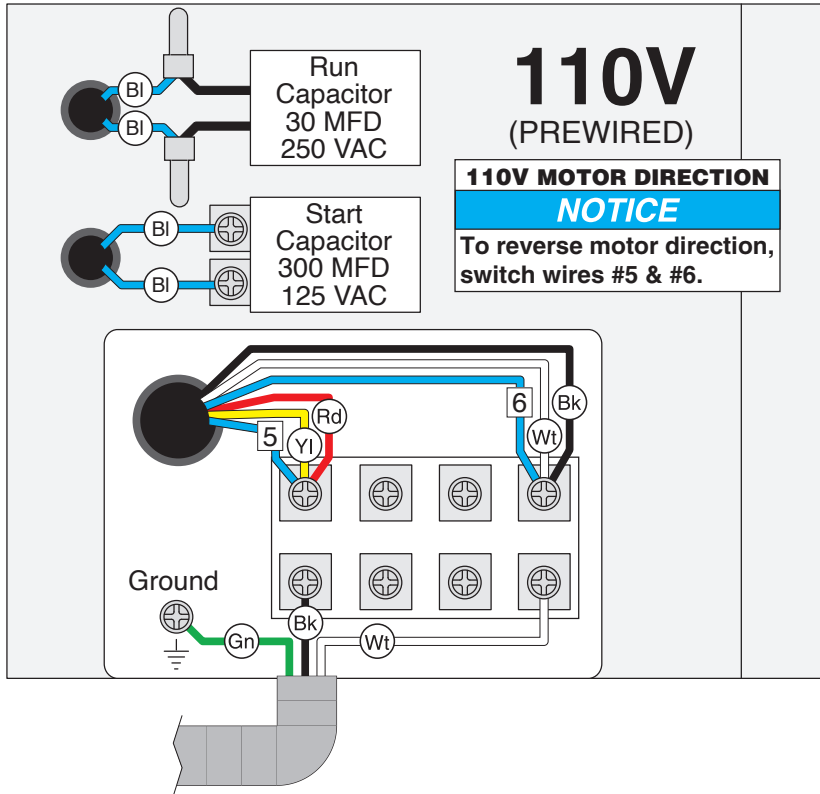
If you are unsure how to attach wires to terminals, DO NOT continue. Contact an electrician for assistance. Connecting wires improperly may cause them to come loose or contact other wires, which can cause electrocution, fire, or a short.

COPYRIGHT © DECEMBER, 2007 BY GRIZZLY INDUSTRIAL, INC., REVISED NOVEMBER, 2024 (LW)
 NO PORTION OF THIS INSTRUCTION SHEET MAY BE REPRODUCED IN ANY SHAPE
 OR FORM WITHOUT THE WRITTEN APPROVAL OF GRIZZLY INDUSTRIAL, INC.
 (FOR MODELS MFD. SINCE 08/24) #JB10224 PRINTED IN TAIWAN

V2.11.24

Keep for Future Reference

H5379 Wiring Diagram



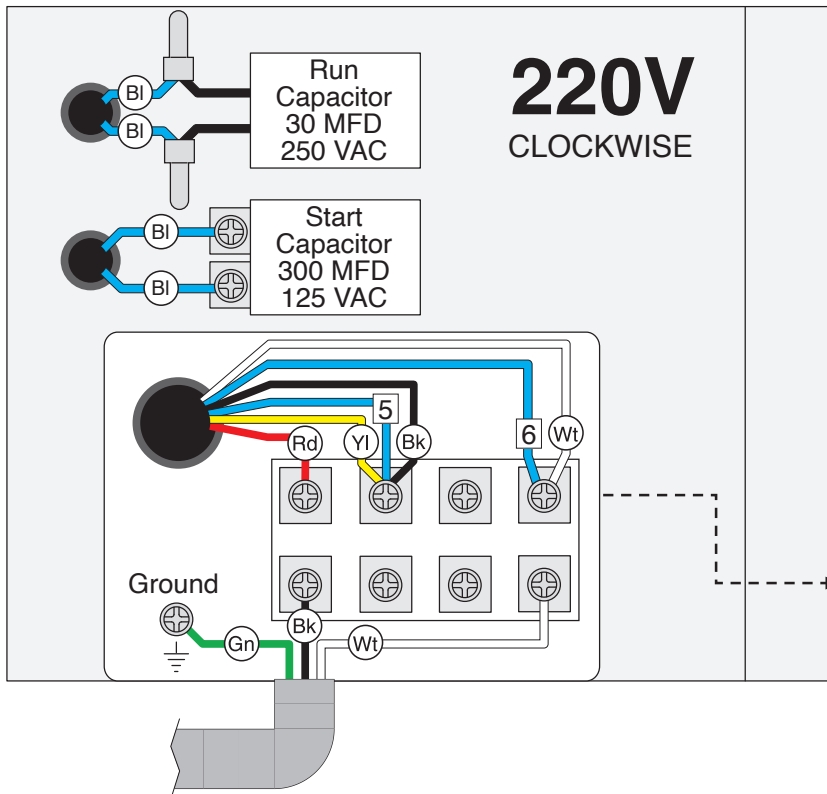
COLOR KEY	
BLACK	Bk
WHITE	Wt
GREEN	Gn
RED	Rd
YELLOW	Yl
BLUE	Bl

NOTICE

The motor wiring shown here is current at the time of printing, but it may not match your motor. Always use the wiring diagram inside the motor junction box.

WARNING!

SHOCK HAZARD!
Disconnect power before working on wiring.



220V COUNTERCLOCKWISE

