



**MODEL G7107
3-SHELF CART
550 LB. CAPACITY
INSTRUCTION SHEET**



COPYRIGHT © MAY, 2008 BY GRIZZLY INDUSTRIAL, INC. REVISED JUNE 2009 (CR).
**WARNING: NO PORTION OF THIS MANUAL MAY BE REPRODUCED IN ANY SHAPE
OR FORM WITHOUT THE WRITTEN APPROVAL OF GRIZZLY INDUSTRIAL, INC.**

#BL10758 PRINTED IN CHINA

Inventory

Your Model G7107 was carefully packaged for safe transportation. Remove the packaging materials from around your cart and inspect it. If you discover the cart is damaged, *please immediately call Customer Service at (570) 546-9663 for advice.*

Save the containers and all packing materials for possible inspection by the carrier or its agent. *Otherwise, filing a freight claim can be difficult.*

When you are completely satisfied with the condition of your shipment, lay the components out to inventory them.

Box 1: (Figure 1)	Qty
A. Shelves.....	3
B. Fixed Casters	2
C. Side Braces.....	4
D. Drawer Brackets.....	2
E. Handle Bracket (L).....	1
F. Handle Bracket (R).....	1
G. Handle.....	1
H. Swivel Casters.....	2
I. Drawer.....	1
J. Hardware Bag	1
—Hex Bolt M6-1 x 12	48
—Hex Nuts M6-1.....	52
—Flat Washers 6mm	52
—Lock Washers 6mm.....	52
—Phillips Head Screws M6-1 x 16.....	4
—Hex Bolts M10-1.5 x 16.....	16
—Hex Nuts M10-1.5	16
—Lock Washers 10mm.....	16

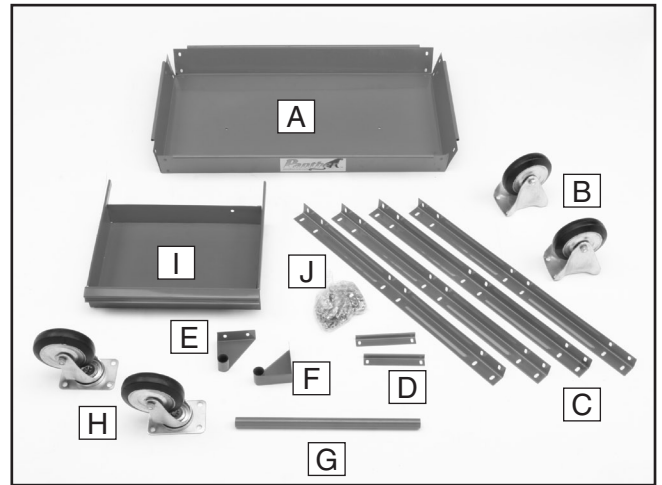



Figure 1. G7107 box contents.



! WARNING
SUFFOCATION HAZARD!
 Immediately discard all plastic bags and packing materials to eliminate choking/suffocation hazards for children and animals.

! CAUTION

Adult supervision is always required while this cart is being used by children.



Assembly

Refer to **Figure 2** and follow the instructions below as you assemble the cart.

To assemble your cart:

1. Find the shelf that has four holes in the bottom corners. This is your bottom shelf.
2. Attach each fixed caster to one end of the bottom shelf with (4) M10-1.5 x 16 hex bolts, lock washers, and hex nuts.
3. Attach each swivel caster to the other end of the bottom shelf with (4) M10-1.5 x 16 hex bolts, lock washers, and hex nuts.
4. Fasten each side brace to a corner of the bottom shelf with (4) M6-1 x 12 hex bolts, flat washers, lock washers, and hex nuts.

Note: Only tighten the bolts finger tight until assembly is complete.

5. Slide the middle shelf (the middle shelf has no holes in the bottom) between the side braces and down to the center set of holes. Attach with (16) M6-1 x 12 hex bolts, flat washers, lock washers, and hex nuts.
6. Attach the drawer brackets to the underside of the top shelf with (4) M6-1 x 16 Phillip head screws, flat washers, lock washers, and hex nuts, then slide the drawer between brackets.
7. Slide the top shelf between the side braces and fasten the sides and one end with (12) M6-1 x 12 hex bolts, flat washers, lock washers, and hex nuts.
8. Place a handle bracket on each end of the handle. Thread (4) M6-1 x 12 hex bolts through the handle assembly, side braces, and top shelf, then secure with the remaining 6mm flat washers, lock washers, and nuts.
9. Make sure the cart is straight and the shelves are level, then tighten all the bolts.

If you need help with your new item, call our Tech Support at: (570) 546-9663.

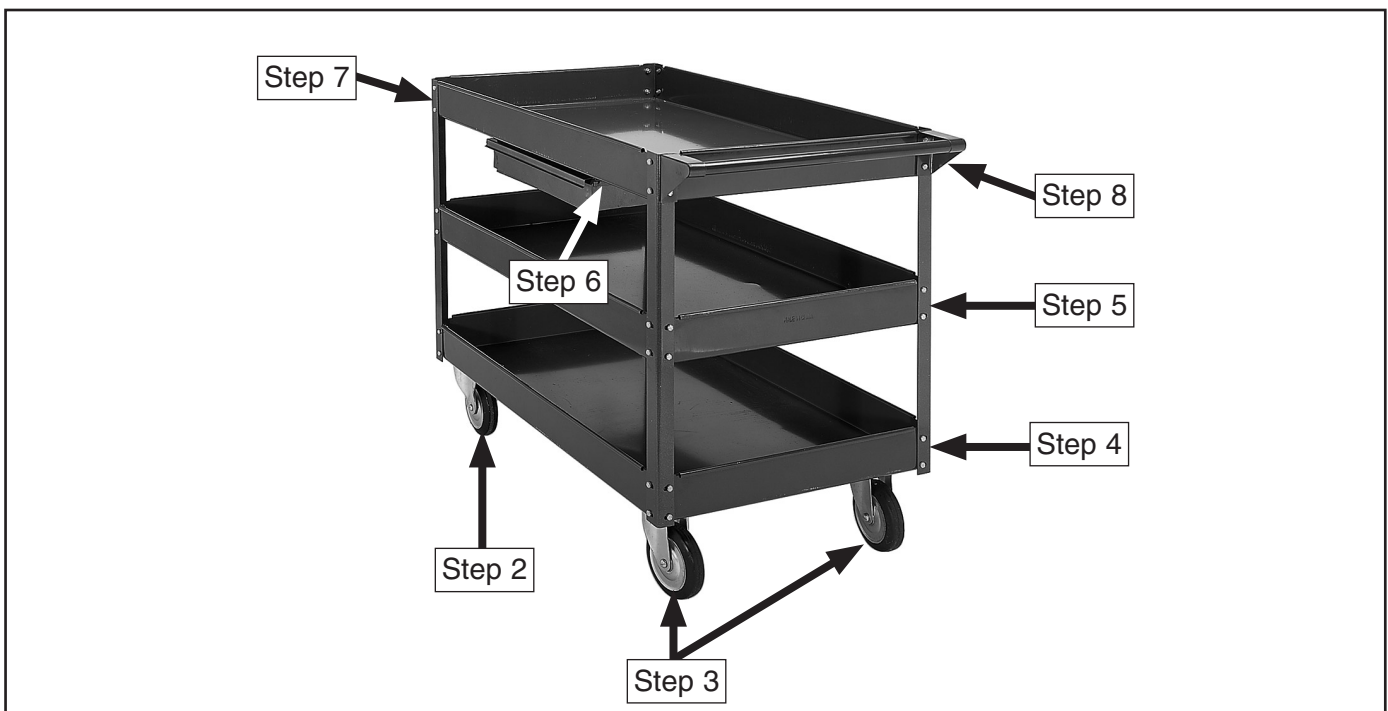
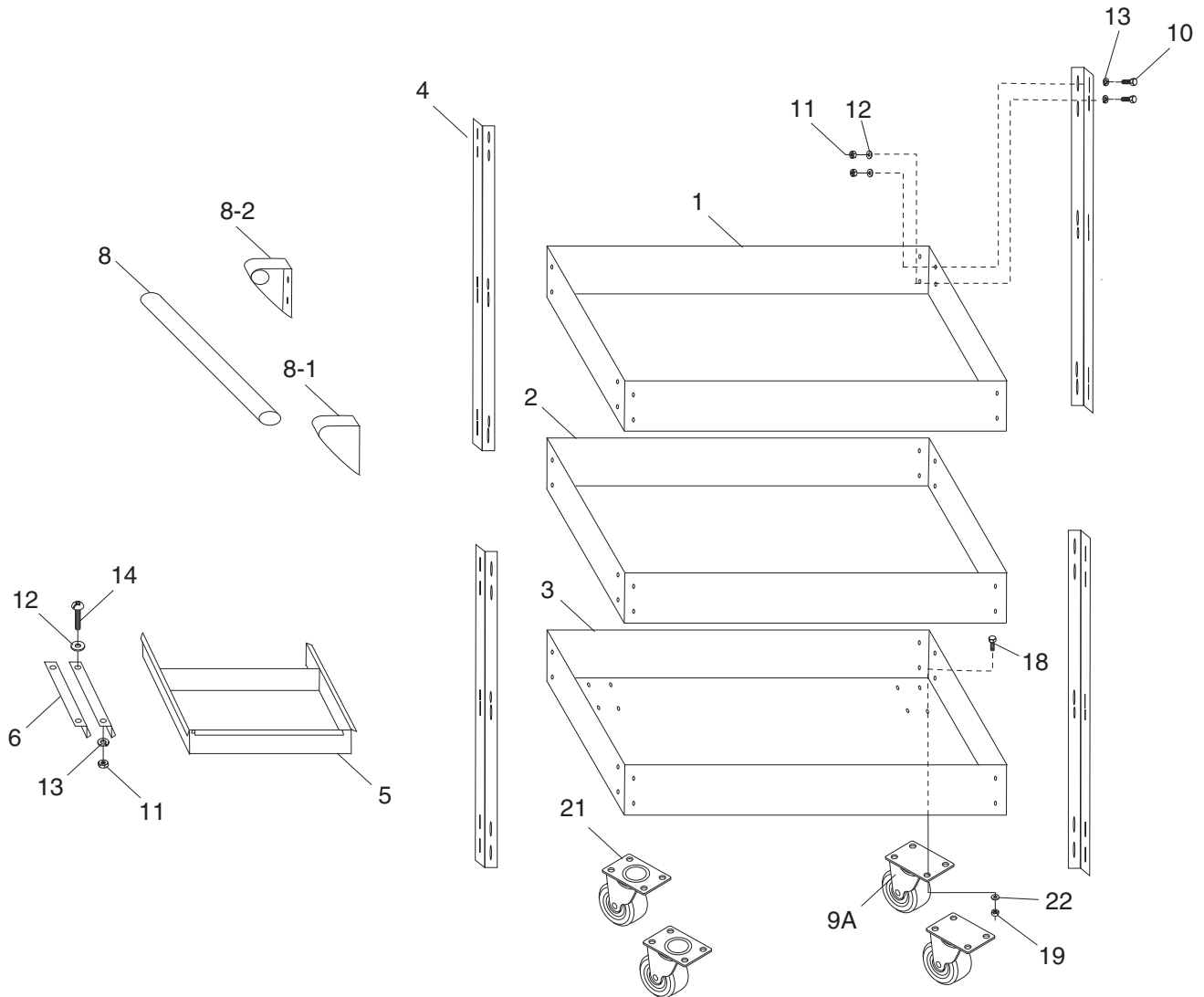


Figure 2. Model G7107 assembly steps.



G7107 Parts Breakdown & List



REF	PART #	DESCRIPTION
1	P7107001	TOP SHELF
2	P7107002	MIDDLE SHELF
3	P7107003	BOTTOM SHELF
4	P7107004	SIDE BRACE
5	P7107005	DRAWER
6	P7107006	DRAWER BRACKET
8	P7107008	HANDLE
8-1	P7107008-1	HANDLE BRACKET (R)
8-2	P7107008-2	HANDLE BRACKET (L)
9A	P7107009A	FIXED CASTER

REF	PART #	DESCRIPTION
10	PB02M	HEX BOLT M6-1 X 12
11	PN01M	HEX NUT M6-1
12	PW03M	FLAT WASHER 6MM
13	PLW03M	LOCK WASHER 6MM
14	PS11M	PHLP HD SCR M6-1 X 16
18	PB70M	HEX BOLT M10-1.5 X 16
19	PN02M	HEX NUT M10-1.5
21	P7107021	SWIVEL CASTER
22	PLW06M	LOCK WASHER 10MM

