

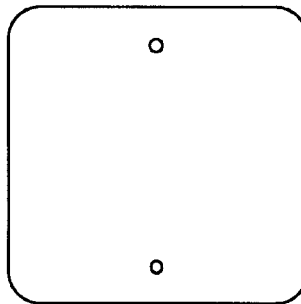


## MODEL G1838 UNIVERSAL HOOD INSTRUCTIONS

The Model G1838 Universal Hood allows dust to be collected from most cabinet type table saws in association with a suitable dust collector.

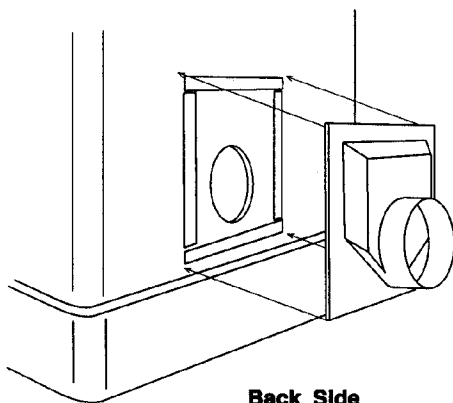
When collecting dust from the base of the table saw, we recommend the installation of a wooden bottom panel inside the saw cabinet.

To fabricate and install a wood panel, cut a piece of  $\frac{1}{2}$ " plywood or particle board as shown. The panel should be approximately  $19\frac{1}{4}$ " x  $19\frac{1}{4}$ " for the Model G1023 Table Saw. For convenience, drill two finger holes and place the panel on the inside flanges of the lower cabinet stand. If finger holes are drilled, seal with duct tape after installation.

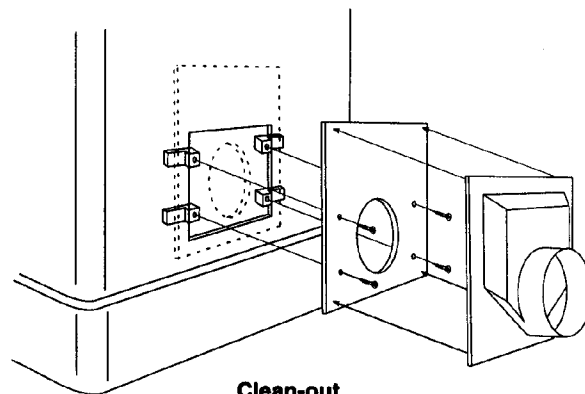


There are two methods of mounting the Universal Hood to your table saw:

1. Cut a 5" hole in the back of the table saw near the base and affix the hood to the stand with self tapping screws or double sided tape as shown, or:
2. To use the existing clean-out door instead of cutting a new 5" hole, use a piece of  $12$ " x  $12\frac{1}{2}$ " plywood. Cut a 5" hole and mount over the clean-out hole. Use screws or double sided tape and attach hood.



Back Side



Clean-out